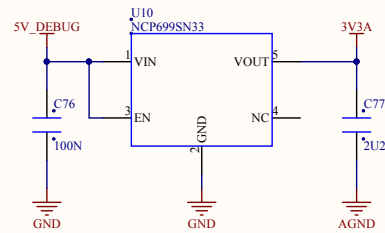
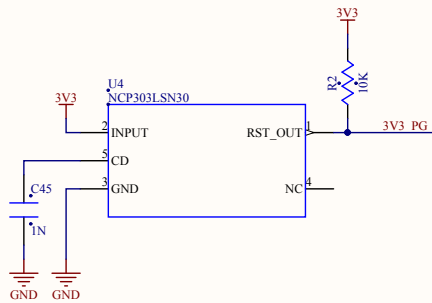


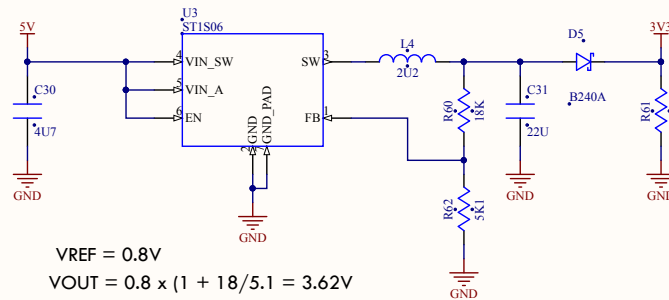
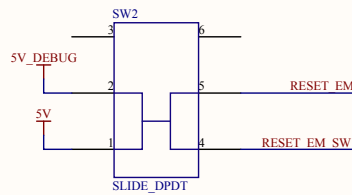
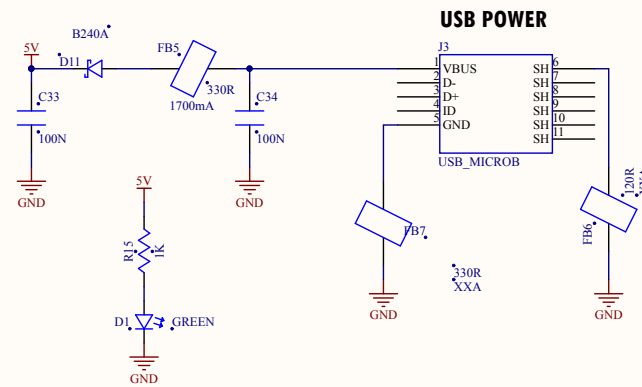
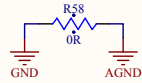
XMOS evaluation kits and reference platforms are intended for use for FURTHER ENGINEERING, DEVELOPMENT, DEMONSTRATION, OR EVALUATION PURPOSES ONLY.

They are not a finished product and may not comply with technical or legal requirements that are applicable to finished products.

The use of third-party components does not imply any level of availability or suitability outside of the kit/platform.

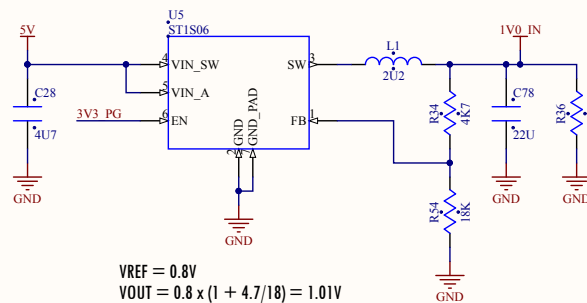
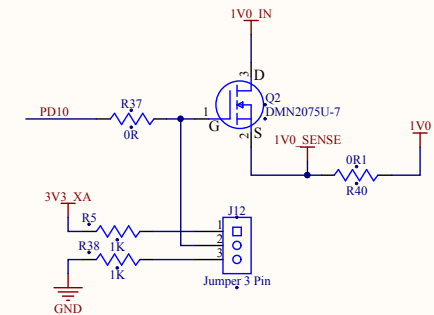
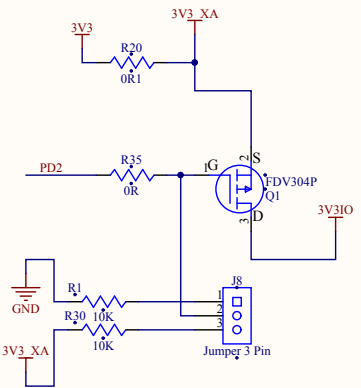


5V to 3V3 LDO Analogue Power



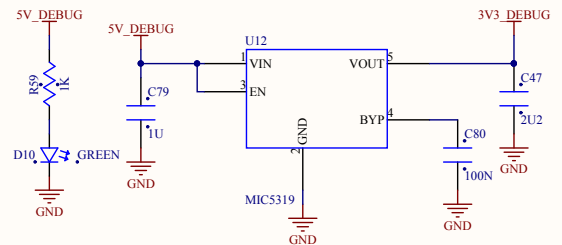
VREF = 0.8V
 $V_{OUT} = 0.8 \times (1 + 18/5.1) = 3.62V$

5V TO 3V3 DC-DC CONVERTER

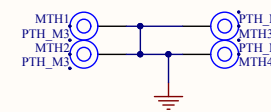
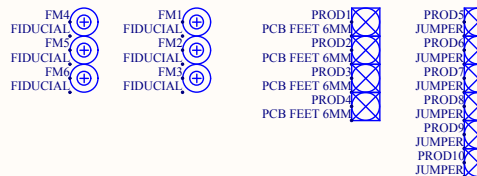


VREF = 0.8V
 $V_{OUT} = 0.8 \times (1 + 4.7/18) = 1.01V$

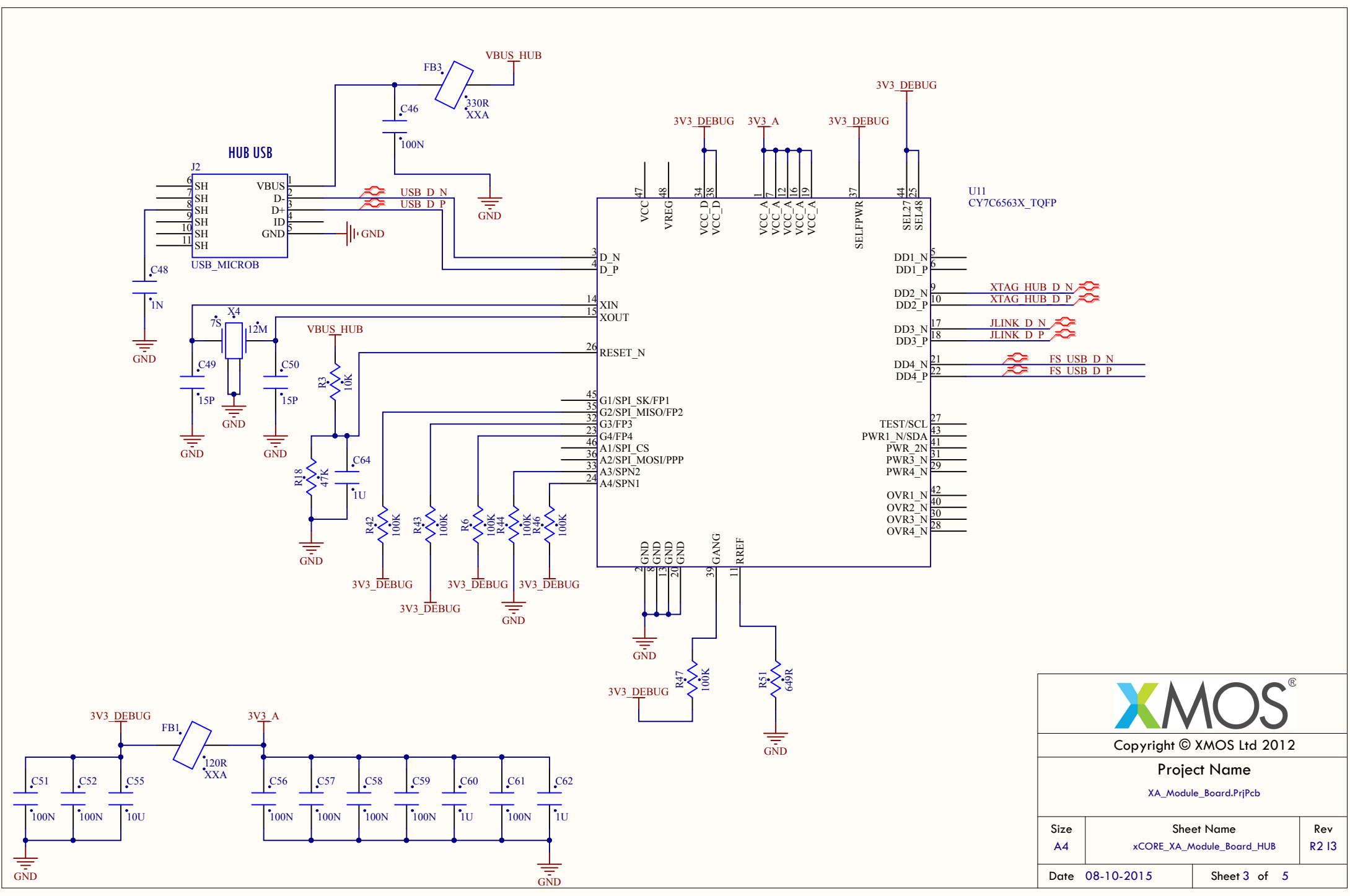
5V TO 1V0 DC DC CONVERTOR



5V TO 3V3 LDO



XMOS [®]		
Copyright © XMOS Ltd 2012		
Project Name		
XA_Module_Board.PrjPcb		
Size	Sheet Name	Rev
A3	xCORE_XA_Module_Board_Power	R2.13
Date	08-10-2015	Sheet 2 of 5

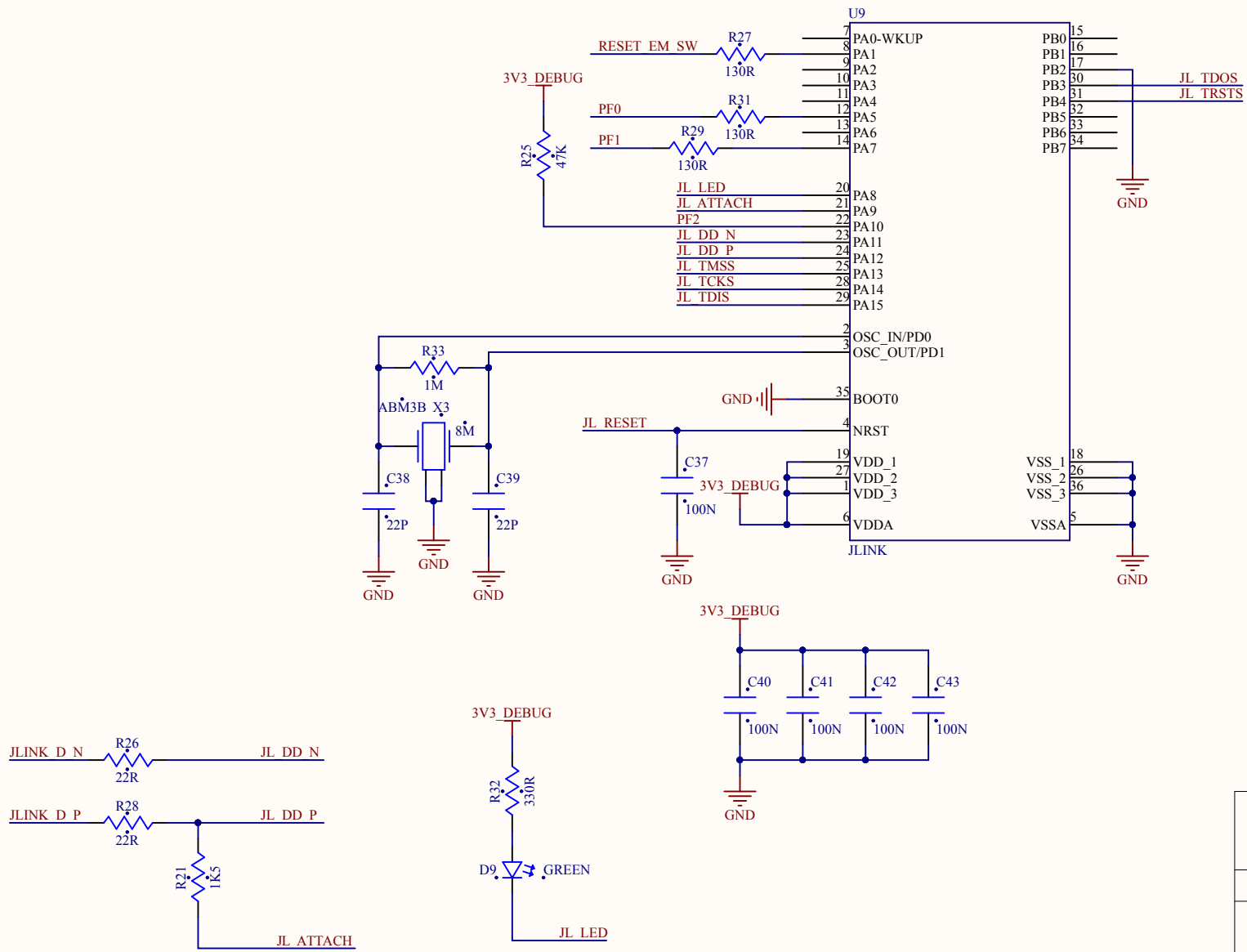



Copyright © XMOS Ltd 2012

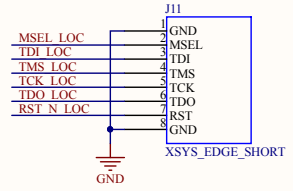
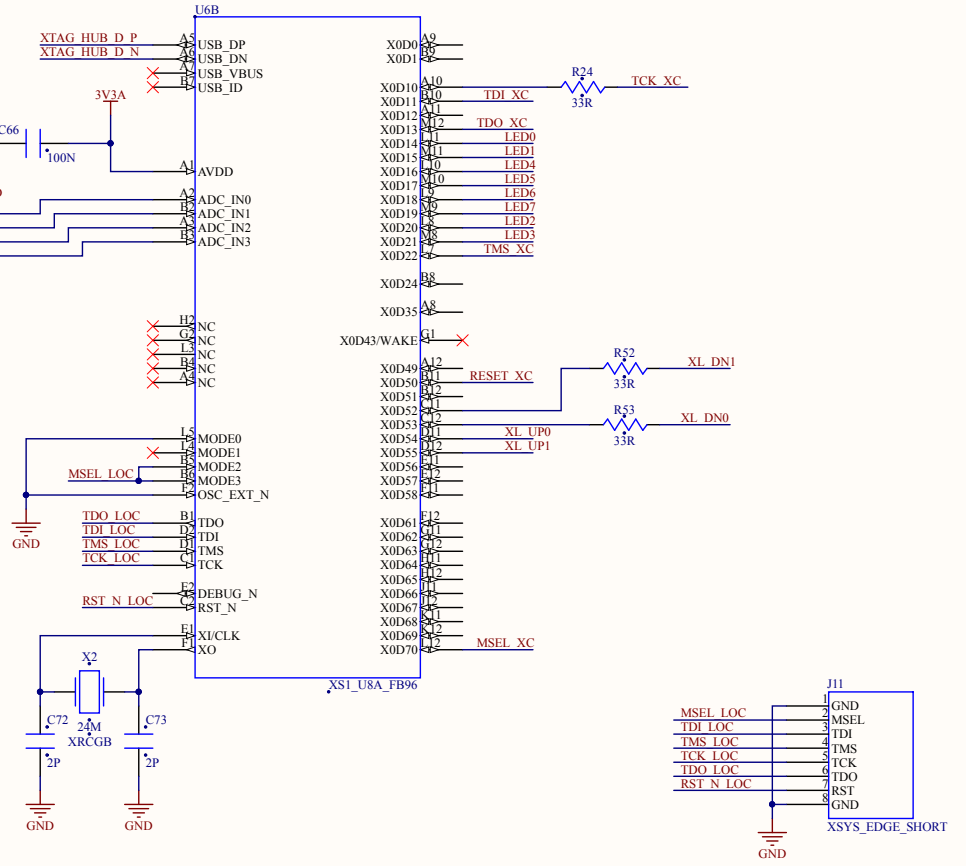
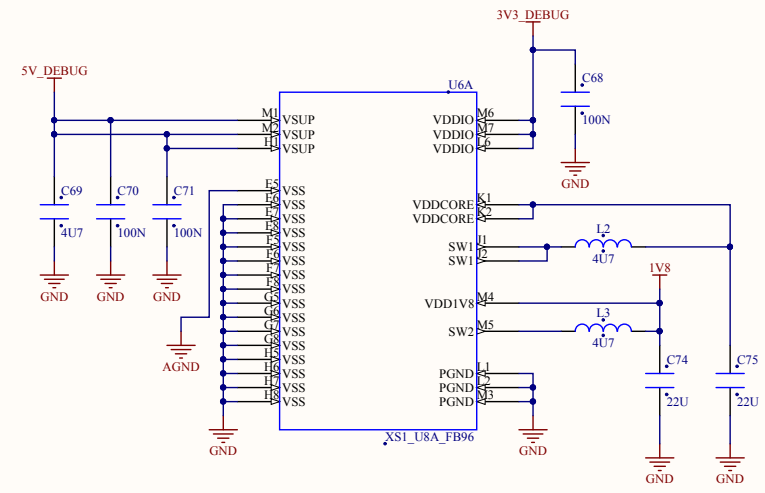
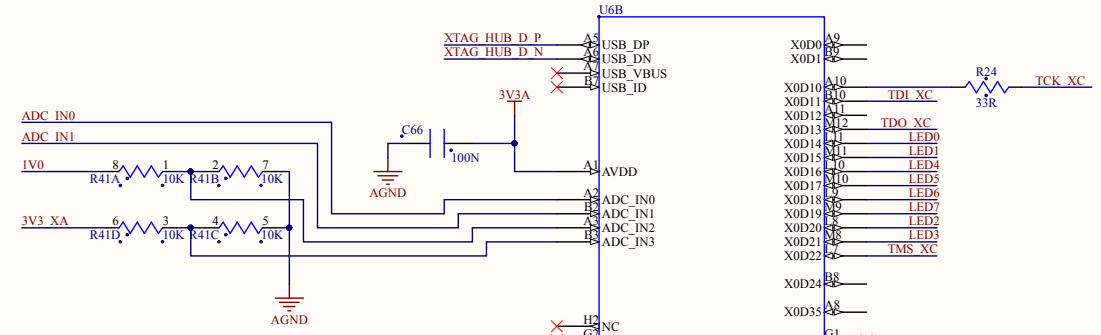
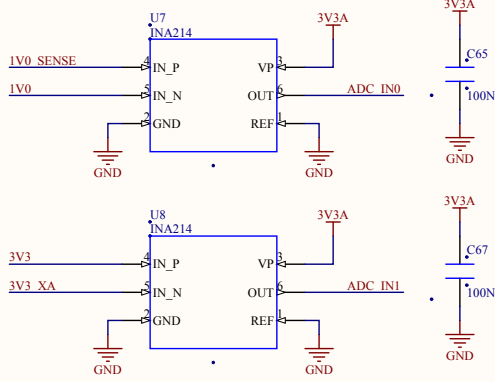
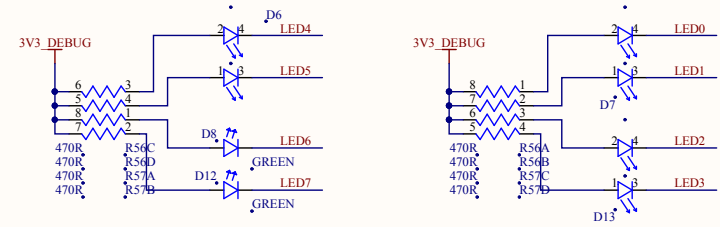
Project Name

XA_Module_Board.PrjPcb

Size A4	Sheet Name xCORE_XA_Module_Board_HUB	Rev R2 I3
------------	---	--------------



		
Copyright © XMOS Ltd 2012		
Project Name		
XA_Module_Board.PrjPcb		
Size	Sheet Name	Rev
A4	xCORE_XA_Module_Board_Jlink	R2 I3
Date	Sheet 4 of 5	
08-10-2015		



XMOS[®]
Copyright © XMOS Ltd 2012

Project Name
XA_Module_Board.PrjPcb

Size	Sheet Name	Rev
A3	xCORE_XA_Module_Board_XTAG	R2.13

Date 08-10-2015 Sheet 5 of 5