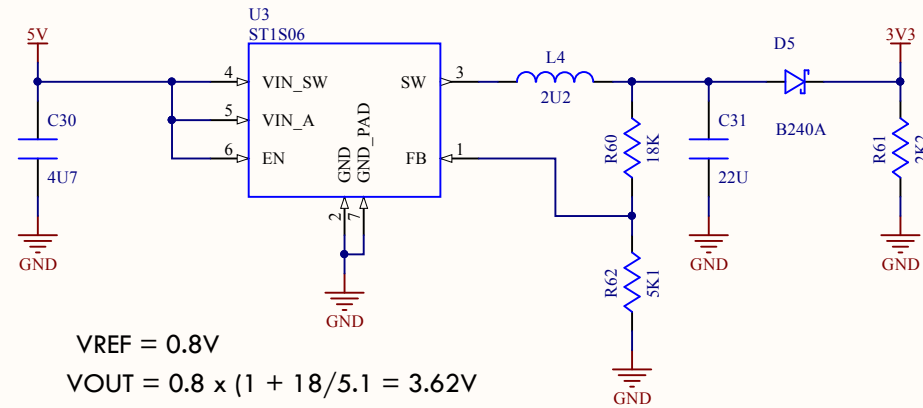
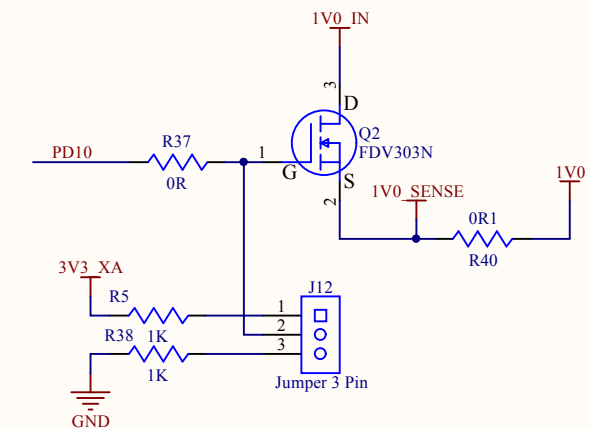
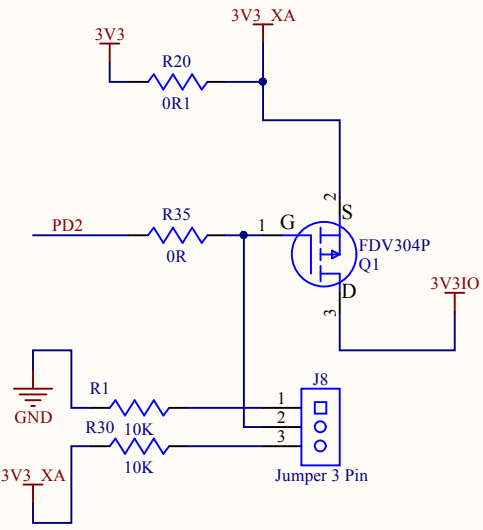
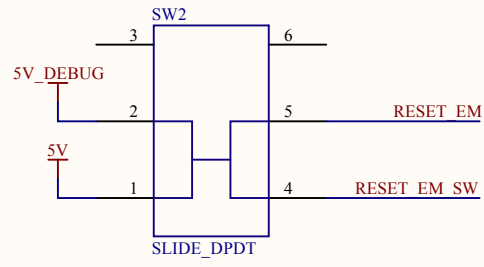
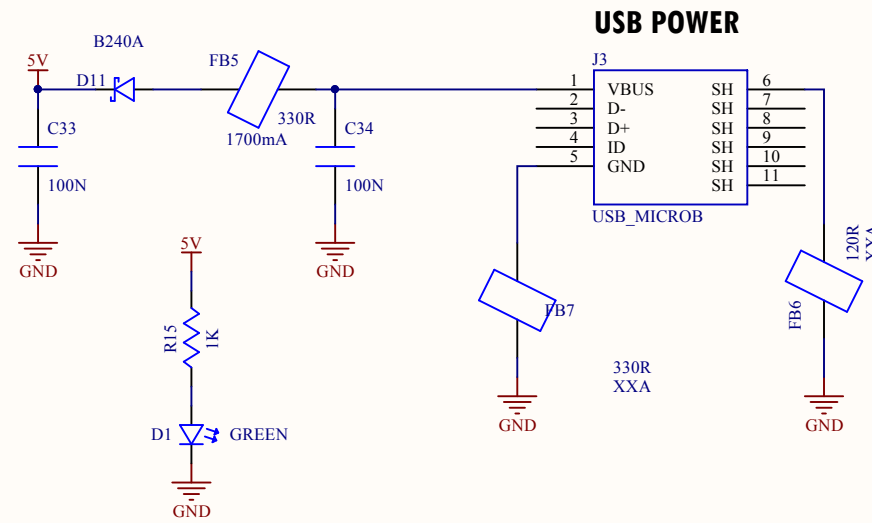
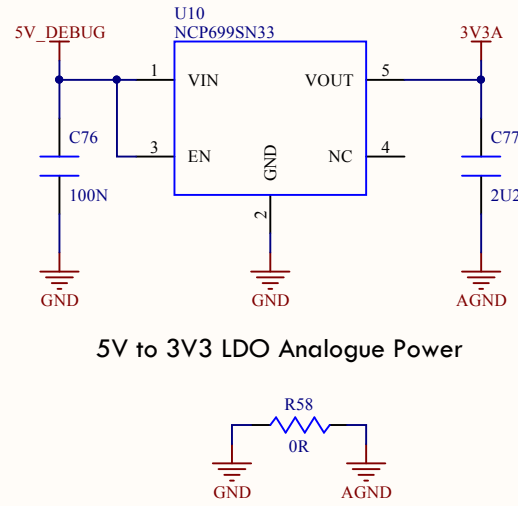
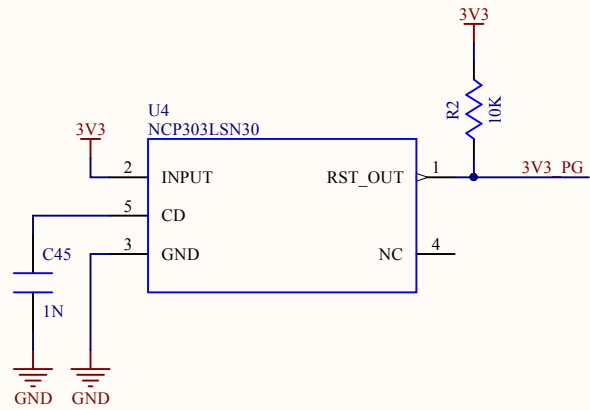


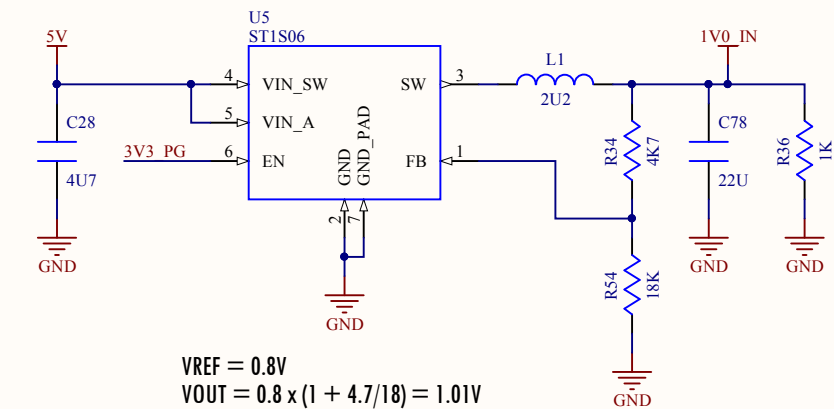
XMOS evaluation kits and reference platforms are intended for use for FURTHER ENGINEERING, DEVELOPMENT, DEMONSTRATION, OR EVALUATION PURPOSES ONLY.

They are not a finished product and may not comply with technical or legal requirements that are applicable to finished products.

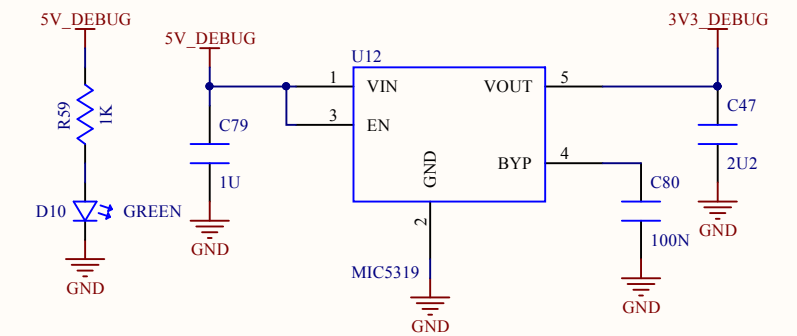
The use of third-party components does not imply any level of availability or suitability outside of the kit/platform.



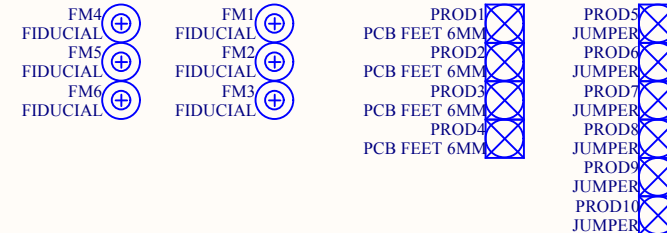
5V TO 3V3 DC-DC CONVERTER



5V TO 1V DC DC CONVERTOR



5V TO 3V3 LDO

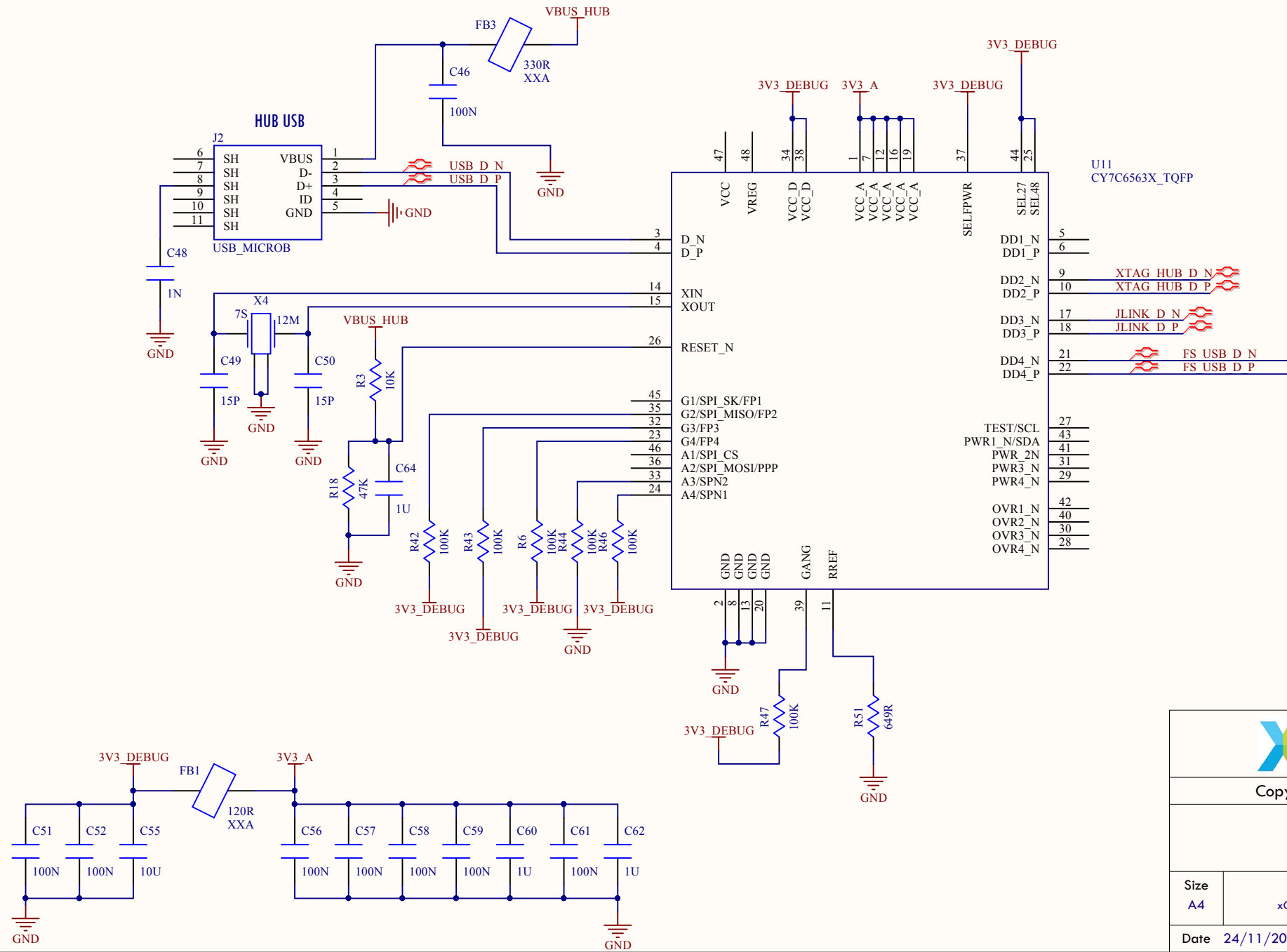


Copyright © XMOS Ltd 2012

Project Name

XA_Module_Board.PrjPcb

Size A3	Sheet Name xCORE_XA_Module_Board_Power	Rev R2 I2
Date 24/11/2014	Sheet 2 of 5	

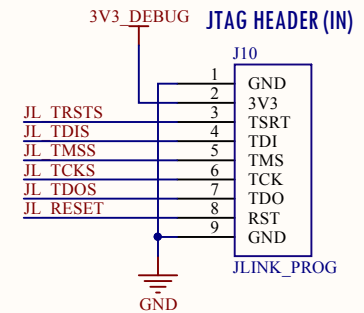
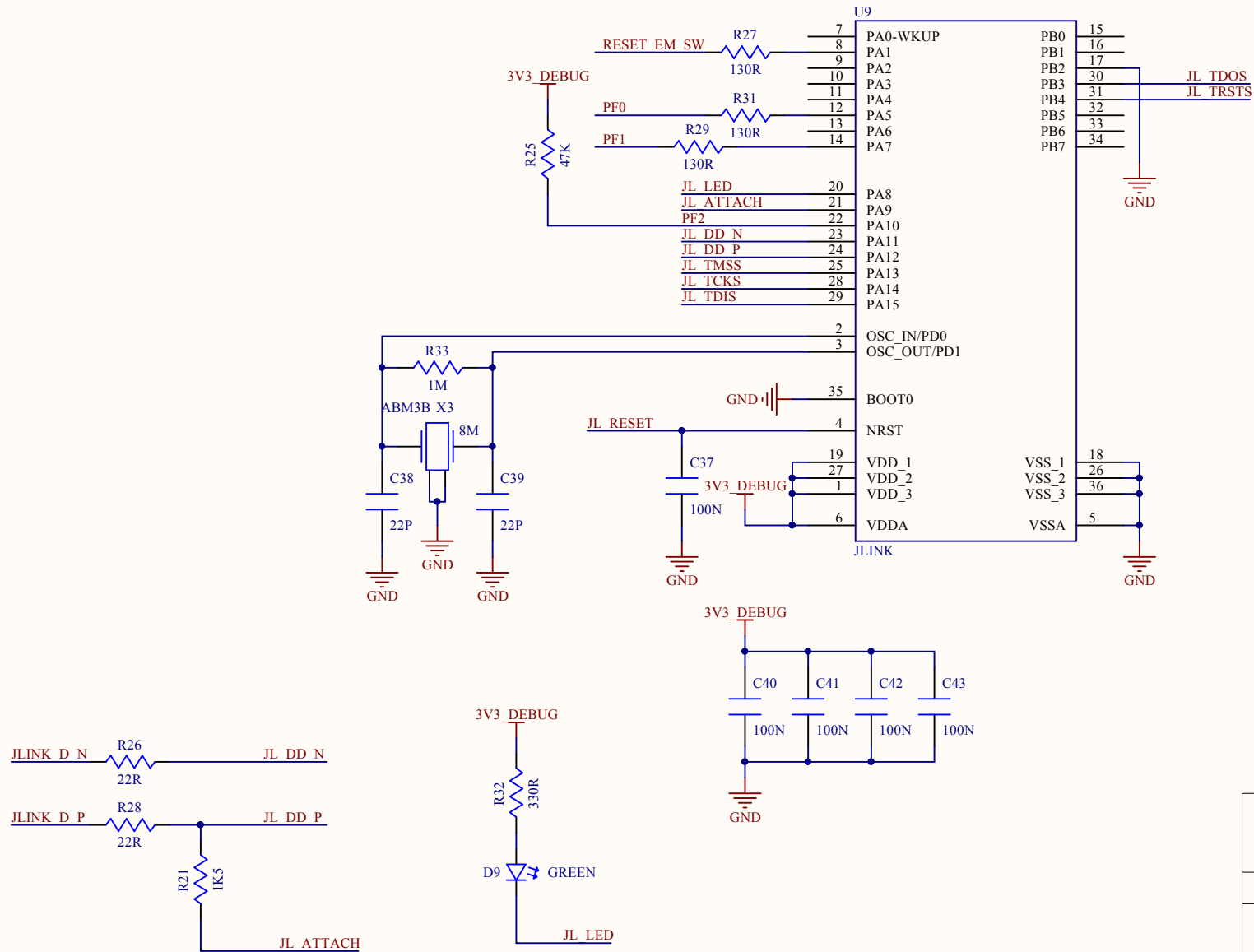



Copyright © XMOS Ltd 2012

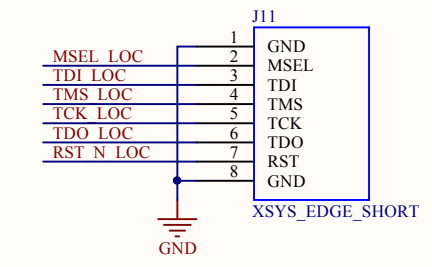
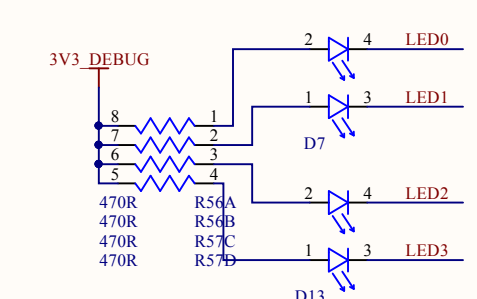
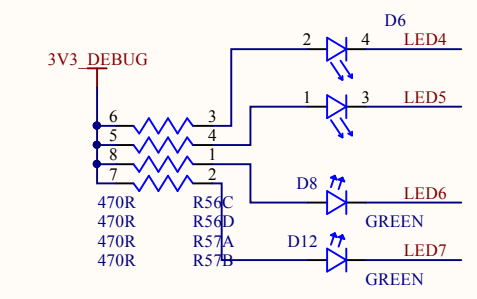
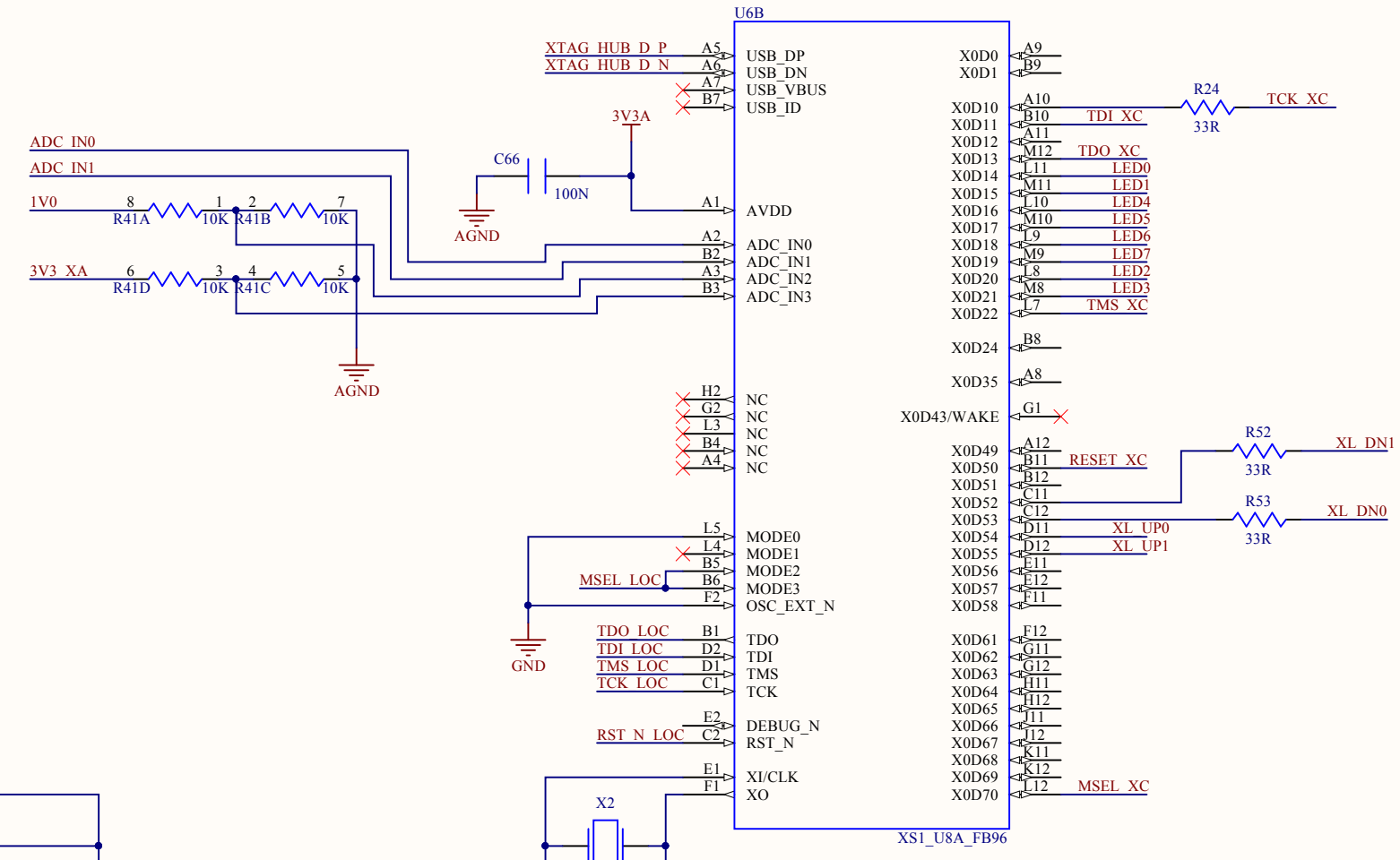
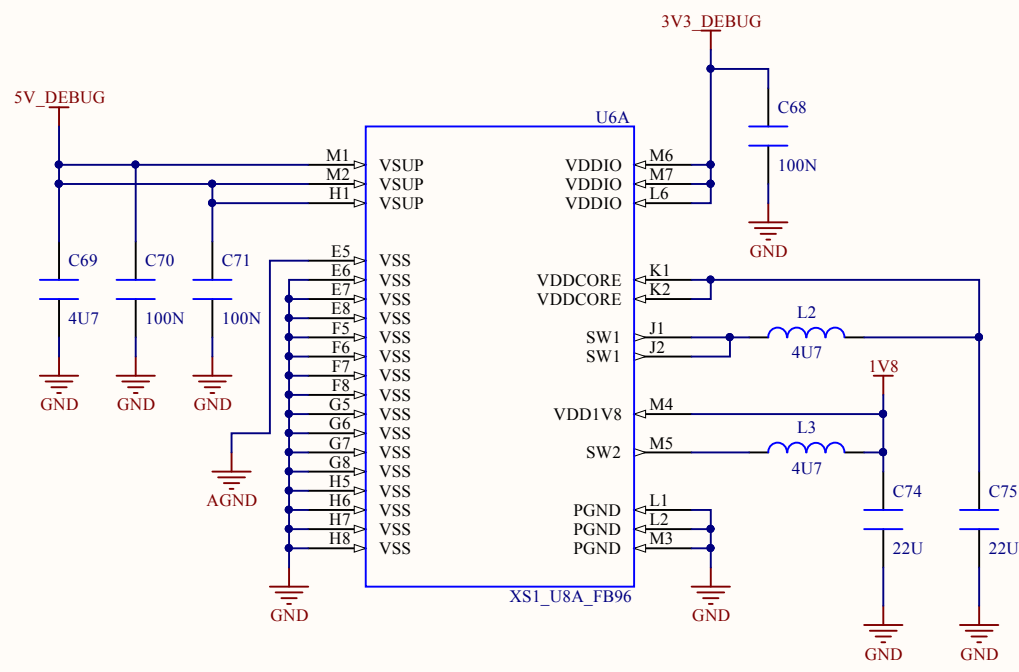
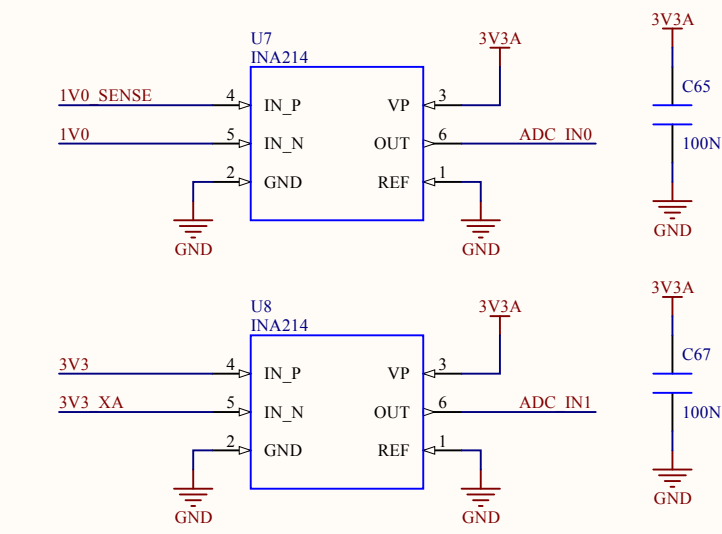
Project Name

xA_Module_Board.PrjPcb

Size A4	Sheet Name xCORE_XA_Module_Board_HUB	Rev R2.12
------------	---	--------------



		
Copyright © XMOS Ltd 2012		
Project Name		
XA_Module_Board.PrjPcb		
Size	Sheet Name	Rev
A4	xCORE_XA_Module_Board_Jlink	R2 I2
Date	Sheet 4 of 5	
24/11/2014		



Copyright © XMOS Ltd 2012

Project Name

XA_Module_Board.PrjPcb

Size	Sheet Name	Rev
A3	xCORE_XA_Module_Board_XTAG	R2 I2
Date	24/11/2014	
Sheet 5 of 5		