

xCORE Microphone Array Hardware Manual

IN THIS DOCUMENT

- ▶ Features
 - ▶ Introduction
 - ▶ Clock sources and distribution
 - ▶ Stereo DAC with headphone amplifier
 - ▶ MEMS Microphones
 - ▶ Ethernet Connectivity
 - ▶ General purpose user interface
 - ▶ USB Port
 - ▶ Flash Memory
 - ▶ xSYS connector
 - ▶ xCORE Microphone Array Portmap
 - ▶ Operating requirements
 - ▶ Dimensions
 - ▶ RoHS and REACH
 - ▶ Schematics
-

xCORE Microphone Array evaluation board is an application specific design targeted at microphone aggregation and array microphones used Voice User Interface (VUI) applications. It integrates all the necessary building blocks including: multiple omni-directional microphones, on-board low-jitter clock sources, configurable user input buttons and a USB2.0 device for connectivity.

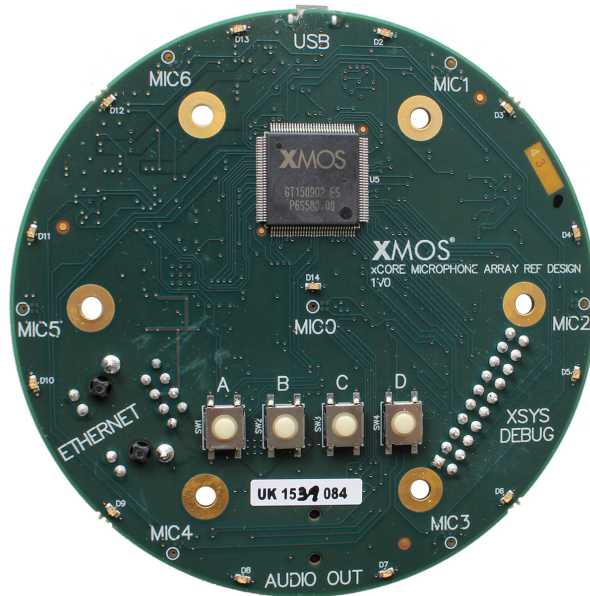


Figure 1:
xCORE
Microphone
Array
evaluation
board - top

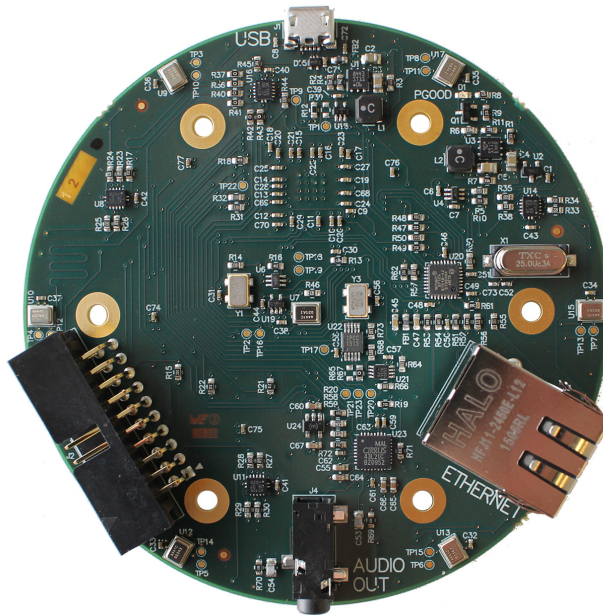


Figure 2:
xCORE
Microphone
Array
evaluation
board -
bottom

1 Features

The xCORE Microphone Array block diagram is shown below. It includes:

- ▶ xCORE-200 (XUF216-512-TQ128) multicore microcontroller device
- ▶ Seven AKUSTICA AKU441 MEMS microphones
- ▶ A micro-USB connector for USB2.0 device connectivity and power
- ▶ An RJ45 connector for 10/100Mbps Ethernet connectivity
- ▶ Four general purpose push-button switches
- ▶ 12 user-controlled LEDs
- ▶ Low-jitter clock source
- ▶ An xSYS connector for an xTAG debug adapter

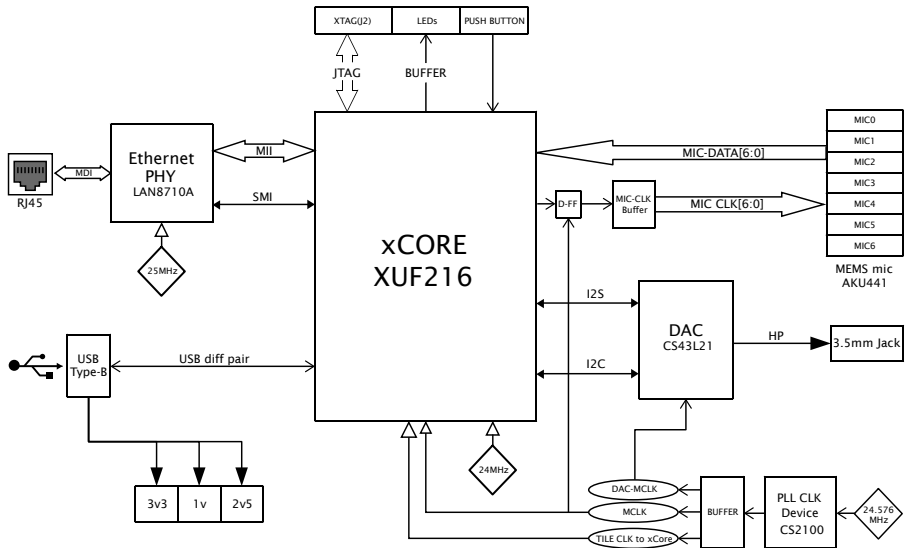


Figure 3:
xCORE
Microphone
Array block
diagram

2 Introduction

The xCORE Microphone Array evaluation board is based on a two-tile xCORE-200 XUF216-512-TQ128 device, which contains 16 32-bit logical processing cores that deliver up to 2000 MIPS compute and integrates 2MBytes Quad Serial Peripheral Interface (QSPI) flash.

For general information on xCORE-200 devices see the xCORE-200 Architecture Overview¹. For device specific information on the XUF216-512-TQ128 device see XUF216-512-TQ128 Datasheet².

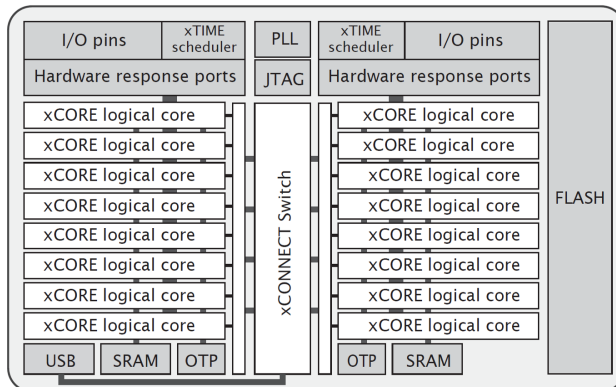


Figure 4:
xCORE-200
XUF216-512-
TQ128
device

3 Clock sources and distribution

The board includes three clock sources:

- ▶ xCORE-200 reference clock - 24MHz oscillator (Y1)
- ▶ Ethernet PHY reference clock - 25MHz crystal (X1)
- ▶ Low jitter clock source - 24.576MHz oscillator, used as reference clock to the CS2100-CP (CirrusLogic) Fractional-N PLL (U22).

The CS2100 generates a low-jitter output signal that is distributed to the xCORE-200 device (Tile1 & MCLK) and DAC (MIC-CLK). The CS2100 device is configured using the I2C interface.

¹<http://www.xmos.com/published/xcore-architecture>

²<http://www.xmos.com/published/xuf216-512-tq128-datasheet?version=latest>

4 Stereo DAC with headphone amplifier

A CS43L21 stereo DAC with integrated headphone amplifier is used to generate audio output on a 3.5mm audio jack. The CS43L21 is connected to the xCORE-200 through an I2S interface and is configured using an I2C interface.

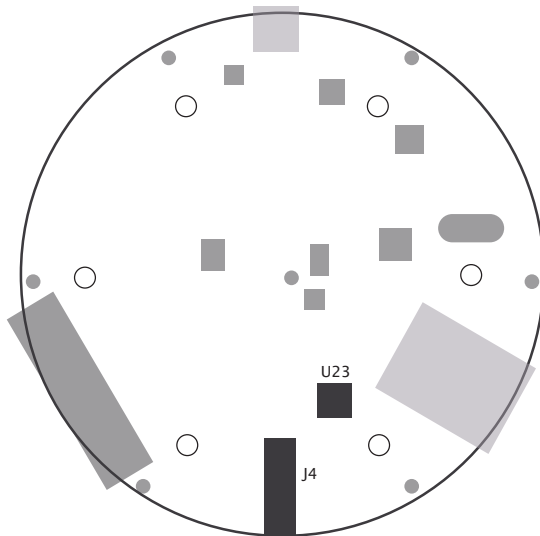


Figure 5:
Stereo
DAC/HPA
components

The CS43L21 stereo DAC/HPA device is configured using the I2C bus.

Pin	Port	Signal
X1D26	P4E0	I2C_SCL
X1D27	P4E1	I2C_SDA
X1D28	P4F0	DAC_RST_N
X1D36	P1M0	I2S_BCLK
X1D37	P1N0	I2S_LRCLK
X1D39	P1P0	I2S_DAC_DATA

The addresses of the CS2100-CP and CS43L21 devices on the I2C bus are shown below.

Device	Ref ID	Address
CS2100-CP	U22	0b1001110 0x4E
CS43L21	U23	0b1001010 0x4A

5 MEMS Microphones

The AKU441 MEMS microphones used in this evaluation board have a bottom port and measure 4mmx3mmx1mm, suitable for voice interface applications.

One microphone is placed at the center of the board (MIC_0). The remaining six microphones are distributed equidistant around the board edge.

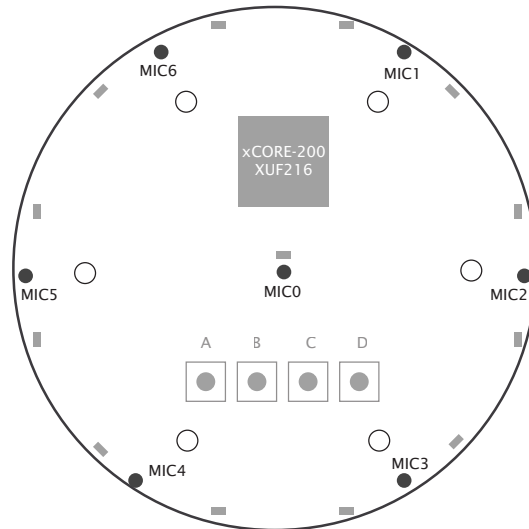


Figure 6:
MEMS
microphones

The microphone signals are mapped onto the xCORE-200 device as show in Figure 7:

Microphone	xCORE GPIO	Port
MIC_CLK	X0D12	P1E0
MIC_0	X0D14	P4C0
MIC_1	X0D15	P4C1
MIC_2	X0D16	P4D0
MIC_3	X0D17	P4D1
MIC_4	X0D18	P4D2
MIC_5	X0D19	P4D3
MIC_6	X0D20	P4C2

Figure 7:
MEMS
microphone
xCORE GPIO

6 Ethernet Connectivity

10/100 Mbps Ethernet connectivity consists of Microchip LAN8710A Ethernet PHY (U20) and an RJ45 connector (J3) with integrated magnetics. The PHY uses the 25MHz crystal as a reference clock.

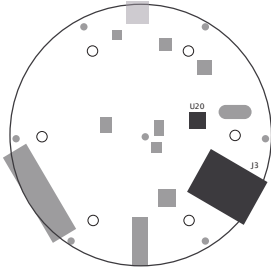


Figure 8:
Ethernet
components

The MII signals are mapped onto the xCORE-200 device as shown in Figure 9:

RGMIi signal	xCORE GPIO	Port
RX_CLK	X1D00	P1A0
TX_CLK	X1D01	P1B0
RX0	X1D02	P4A0
RX1	X1D03	P4A1
TX0	X1D04	P4B0
TX1	X1D05	P4B1
TX2	X1D06	P4B2
TX3	X1D07	P4B3
RX2	X1D08	P4A2
RX3	X1D09	P4A3
RXDV	X1D10	P1C0
TXEN	X1D11	P1D0
MDC	X1D14	P4C0
MDIO	X1D15	P4C1
ETH_RST_N	X1D29	P4F1
RXER	X1D35	P1L0

Figure 9:
Ethernet
xCORE GPIO

7 General purpose user interface

The board has 13 LEDs that are controlled by the xCORE-200 GPIO.

LED_0 - LED_11 (D2-D13) are positioned around the edge of the board, one each side of every microphone. LED_12 (D14) is positioned next to the middle microphone.

A green LED (PGOOD) by the USB connector indicates a 3V3 power good signal.

Four general purpose push-button switches are provided. When pressed, each button creates a connection from the I/O to GND. To ensure correct behaviour, the port connected to the buttons (P4A) must always be defined as an input.

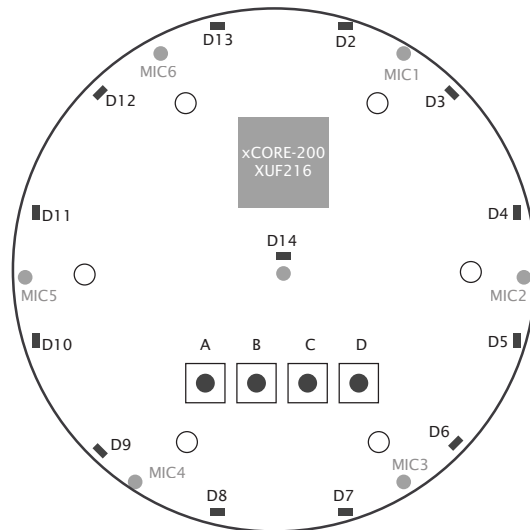


Figure 10:
General
purpose user
interface
components

The signal mapping of the user interface components is shown in [Figure 11](#)

The LED output must be set low to light the corresponding LED.

LED_OEN enables all LEDs when low and disables all LEDs when high.

UI signal	xCORE GPIO	Port
LED_0	X0D26	P4E0
LED_1	X0D27	P4E1
LED_2	X0D28	P4F0
LED_3	X0D29	P4F1
LED_4	X0D30	P4F2
LED_5	X0D31	P4F3
LED_6	X0D32	P4E2
LED_7	X0D33	P4E3
LED_8	X0D43	P1K0
LED_9	X0D35	P1L0
LED_10	X0D36	P1M0
LED_11	X0D37	P1N0
LED_12	X0D38	P1O0
LED_OEN	X0D39	P1P0
BUTTON_A	X0D02	P4A0
BUTTON_B	X0D03	P4A1
BUTTON_C	X0D08	P4A2
BUTTON_D	X0D09	P4A3

Figure 11:
User interface
GPIO

8 USB Port

The USB Micro-B receptacle (J1) is connected to the USB PHY integrated in the XUF216 device, and provides power for the on-board circuits, and USB interface connectivity. Voltage tolerance should be as per USB VBUS specification values.

The power source is used to generate the following voltage rails:

- ▶ +1V0 (Core voltage to XMOS device)
- ▶ +2v5 (for headphone amplifier in DAC device)
- ▶ +3v3 for GPIOs and other accessory devices

Proper power-on sequence is indicated by power good LED (D1) in bottom side of the board.

NOTE: J1 must be connected at all times to provide power to the board.

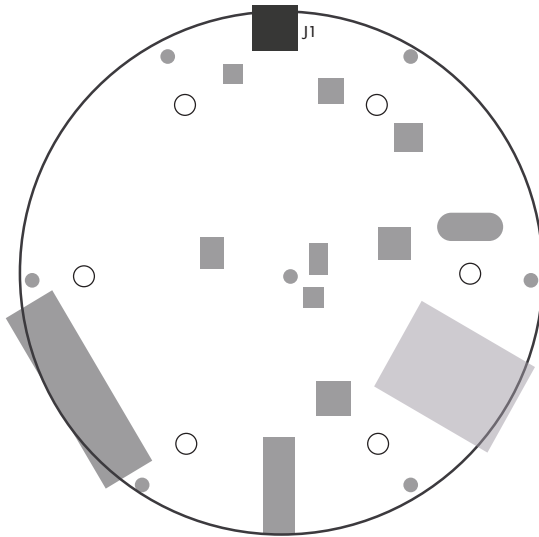


Figure 12:
USB
components

9 Flash Memory

The XUF216-512-TQ128 device includes 2MBytes of QSPI flash memory, which is interfaced by the GPIO connections shown in Figure 13:

QSPI connection	Pin	Port
QSPI_SS	X0D01	P1B
QSP_D0	X0D04	P4B0
QSP_D1	X0D05	P4B1
QSP_D2	X0D06	P4B2
QSP_D3	X0D07	P4B3
SPI_CLK	X0D10	P1C

Figure 13:
QSPI Flash

10 xSYS connector

A standard XMOS xSYS interface (J2) is provided to allow host debug of the board via JTAG.

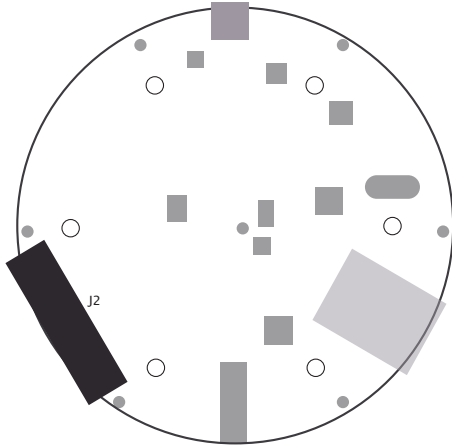


Figure 14:
xSYS
connector

XSYS signal	xCORE GPIO	Header pin	Description
TMS	See note	7	JTAG Test Mode Select
TCK	See note	9	JTAG Test Clock
TDI	See note	5	JTAG Test Data In - from debug adapter to xCORE
TDO	See note	13	JTAG Test Data Out - from xCORE to debug adapter
RST_N	See note	15	System Reset - active low, resets xCORE device
GND		4, 8, 12, 16, 20	Ground
XL_UP1	X0D43	6	XMOS link, uplink bit 1
XL_UP0	X0D42	10	XMOS link, uplink bit 0
XL_DN1	X0D40	14	XMOS link, downlink bit 1
XL_DN0	X0D41	18	XMOS link, downlink bit 0

Figure 15:
XSYS
Connector
Pinout

Notes:

- ▶ JTAG connections occupy dedicated connections

11 xCORE Microphone Array Portmap

The table below provides a full description of the port-pin mappings described throughout this document for the xCORE Microphone Array board.

Pin	1-bit	4-bit	8-bit	16-bit	32-bit	Signal
X0D00	1A ⁰					
X0D01	1B ⁰					QSPI_CS
X0D02		4A ⁰	8A ⁰	16A ⁰	32A ²⁰	BUTTON_A
X0D03		4A ¹	8A ¹	16A ¹	32A ²¹	BUTTON_B
X0D04		4B ⁰	8A ²	16A ²	32A ²²	QSPI_D0
X0D05		4B ¹	8A ³	16A ³	32A ²³	QSPI_D1
X0D06		4B ²	8A ⁴	16A ⁴	32A ²⁴	QSPI_D2
X0D07		4B ³	8A ⁵	16A ⁵	32A ²⁵	QSPI_D3
X0D08		4A ²	8A ⁶	16A ⁶	32A ²⁶	BUTTON_C
X0D09		4A ³	8A ⁷	16A ⁷	32A ²⁷	BUTTON_D
X0D10	1C ⁰					QSPI_CLK
X0D11	1D ⁰					
X0D12	1E ⁰					MIC_CLK
X0D13	1F ⁰					MCLK_XCORE
X0D14		4C ⁰	8B ⁰	16A ⁸	32A ²⁸	MIC_0_DATA
X0D15		4C ¹	8B ¹	16A ⁹	32A ²⁹	MIC_1_DATA
X0D16		4D ⁰	8B ²	16A ¹⁰		MIC_2_DATA
X0D17		4D ¹	8B ³	16A ¹¹		MIC_3_DATA
X0D18		4D ²	8B ⁴	16A ¹²		MIC_4_DATA
X0D19		4D ³	8B ⁵	16A ¹³		MIC_5_DATA
X0D20		4C ²	8B ⁶	16A ¹⁴	32A ³⁰	MIC_6_DATA
X0D21		4C ³	8B ⁷	16A ¹⁵	32A ³¹	
X0D22	1G ⁰					
X0D23	1H ⁰					
X0D24	1I ⁰					
X0D25	1J ⁰					
X0D26		4E ⁰	8C ⁰	16B ⁰		LED_0
X0D27		4E ¹	8C ¹	16B ¹		LED_1
X0D28		4F ⁰	8C ²	16B ²		LED_2
X0D29		4F ¹	8C ³	16B ³		LED_3
X0D30		4F ²	8C ⁴	16B ⁴		LED_4
X0D31		4F ³	8C ⁵	16B ⁵		LED_5
X0D32		4E ²	8C ⁶	16B ⁶		LED_6
X0D33		4E ³	8C ⁷	16B ⁷		LED_7
X0D34	1K ⁰					LED_8
X0D35	1L ⁰					LED_9
X0D36	1M ⁰		8D ⁰	16B ⁸		LED_10
X0D37	1N ⁰		8D ¹	16B ⁹		LED_11
X0D38	1O ⁰		8D ²	16B ¹⁰		LED_12
X0D39	1P ⁰		8D ³	16B ¹¹		LED_OEN
X0D40			8D ⁴	16B ¹²		XL_DN1
X0D41			8D ⁵	16B ¹³		XL_DN0
X0D42			8D ⁶	16B ¹⁴		XL_UP0
X0D43			8D ⁷	16B ¹⁵		XL_UP1

Figure 16:
xCORE
Microphone
Array
Portmap: Tile
0

Pin	1-bit	4-bit	8-bit	16-bit	32-bit	Signal
X1D00	1A ⁰					ETH_RXCLK
X1D01	1B ⁰					ETH_TXCLK
X1D02		4A ⁰	8A ⁰	16A ⁰	32A ²⁰	ETH_RXD_0
X1D03		4A ¹	8A ¹	16A ¹	32A ²¹	ETH_RXD_1
X1D04		4B ⁰	8A ²	16A ²	32A ²²	ETH_TXD_0
X1D05		4B ¹	8A ³	16A ³	32A ²³	ETH_TXD_1
X1D06		4B ²	8A ⁴	16A ⁴	32A ²⁴	ETH_TXD_2
X1D07		4B ³	8A ⁵	16A ⁵	32A ²⁵	ETH_TXD_3
X1D08		4A ²	8A ⁶	16A ⁶	32A ²⁶	ETH_RXD_2
X1D09		4A ³	8A ⁷	16A ⁷	32A ²⁷	ETH_RXD_3
X1D10	1C ⁰					ETH_RXDV
X1D11	1D ⁰					ETH_TXEN
X1D14		4C ⁰	8B ⁰	16A ⁸	32A ²⁸	ETH_MDC
X1D15		4C ¹	8B ¹	16A ⁹	32A ²⁹	ETH_MDIO
X1D16		4D ⁰	8B ²	16A ¹⁰		PLL_SYNC
X1D17		4D ¹	8B ³	16A ¹¹		
X1D18		4D ²	8B ⁴	16A ¹²		
X1D19		4D ³	8B ⁵	16A ¹³		
X1D20		4C ²	8B ⁶	16A ¹⁴	32A ³⁰	
X1D21		4C ³	8B ⁷	16A ¹⁵	32A ³¹	
X1D26		4E ⁰	8C ⁰	16B ⁰		I2C_SCLK
X1D27		4E ¹	8C ¹	16B ¹		I2C_SDA
X1D28		4F ⁰	8C ²	16B ²		DAC_RST_N
X1D29		4F ¹	8C ³	16B ³		ETH_RST_N
X1D30		4F ²	8C ⁴	16B ⁴		
X1D31		4F ³	8C ⁵	16B ⁵		
X1D32		4E ²	8C ⁶	16B ⁶		
X1D33		4E ³	8C ⁷	16B ⁷		
X1D35	1L ⁰					ETH_RX_ERR
X1D36	1M ⁰		8D ⁰	16B ⁸		I2S_BCLK
X1D37	1N ⁰		8D ¹	16B ⁹		I2S_LRCLK
X1D38	1O ⁰		8D ²	16B ¹⁰		MCLK_TILE1
X1D39	1P ⁰		8D ³	16B ¹¹		I2S_DAC_DATA
X1D40			8D ⁴	16B ¹²		
X1D41			8D ⁵	16B ¹³		
X1D42			8D ⁶	16B ¹⁴		
X1D43			8D ⁷	16B ¹⁵		

Figure 17:
 xCORE
 Microphone
 Array
 Portmap: Tile
 1

12 Operating requirements

A USB 2.0 high-speed compliant cable of less than 3m in length should be used when operating the xCORE Microphone Array board. XMOS cannot guarantee correct operation of the xCORE Microphone Array board should any other cable be used.

This product is, like most electronic equipment, sensitive to Electrostatic Discharge (ESD) events. Users should operate the xCORE Microphone Array board with appropriate ESD precautions in place.

13 Dimensions

This xCORE Microphone Array board has diameter of 90 mm and board thickness of 1.6mm.

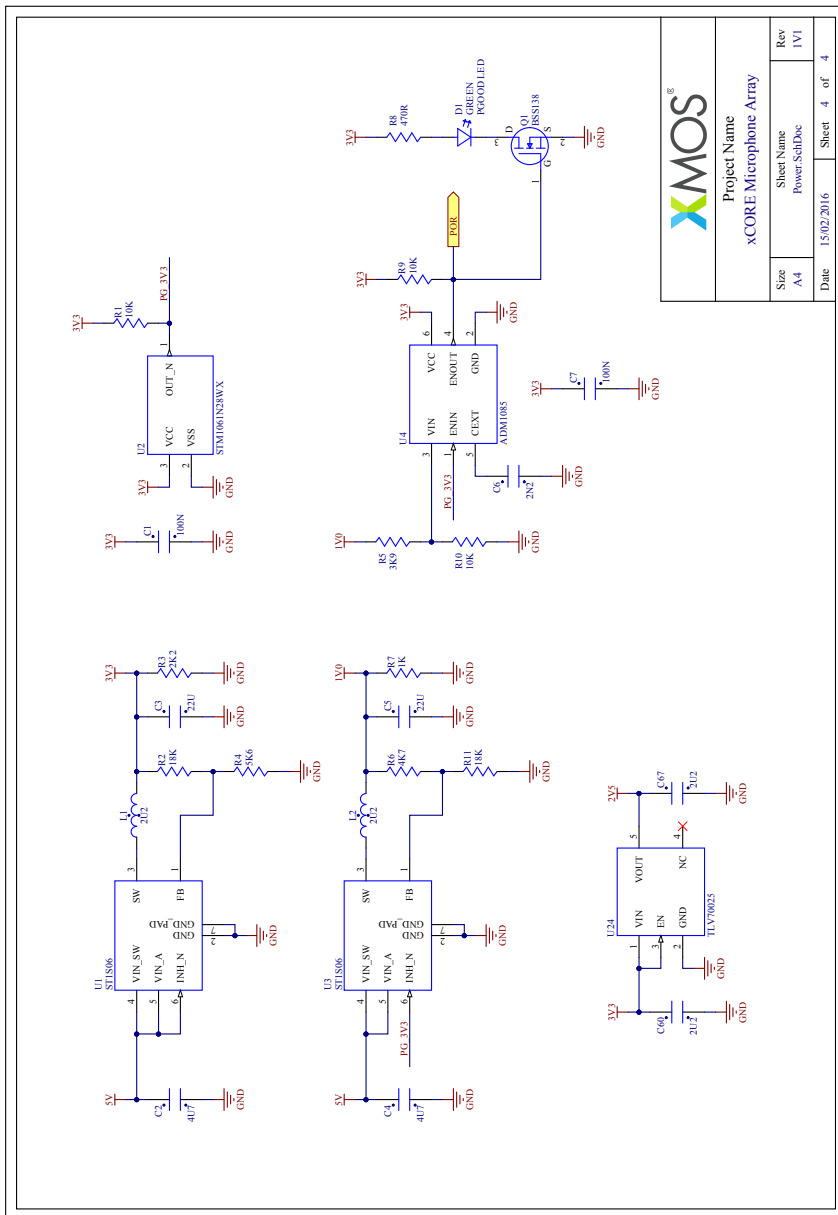
14 RoHS and REACH

The xCORE Microphone Array board complies with appropriate RoHS2 and REACH regulations and is a Pb-free product.

The xCORE Microphone Array board is subject to the European Union WEEE directive and should not be disposed of in household waste. Alternative requirements may apply outside of the EU.



Figure 21:
xCORE
Microphone
Array board -
Voltage rail
LDOs and
reset circuit



xMOS	
Project Name xCORE Microphone Array	
Size A4	Rev 1V1
Date 15/02/2016	Sheet 4 of 4



Copyright © 2016, All Rights Reserved.

Xmos Ltd. is the owner or licensee of this design, code, or Information (collectively, the "Information") and is providing it to you "AS IS" with no warranty of any kind, express or implied and shall have no liability in relation to its use. Xmos Ltd. makes no representation that the Information, or any particular implementation thereof, is or will be free from any claims of infringement and again, shall have no liability in relation to any such claims.