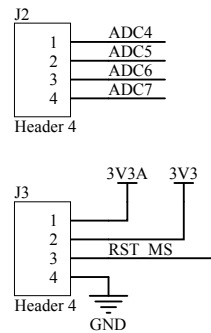
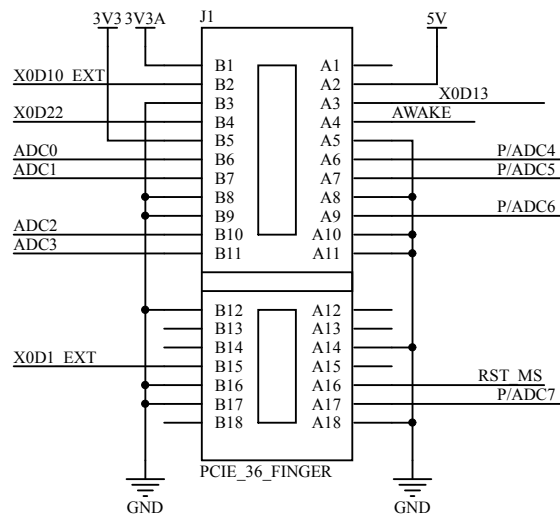
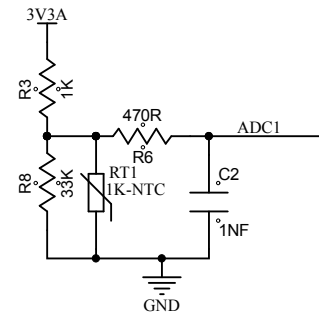
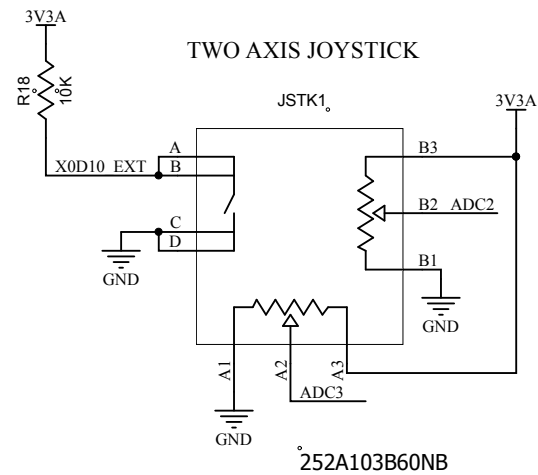


Channel protection using Schottky Diodes

THERMISTOR

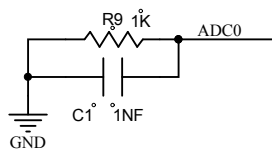
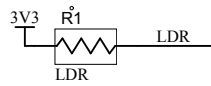
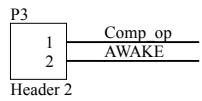
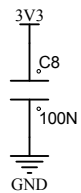
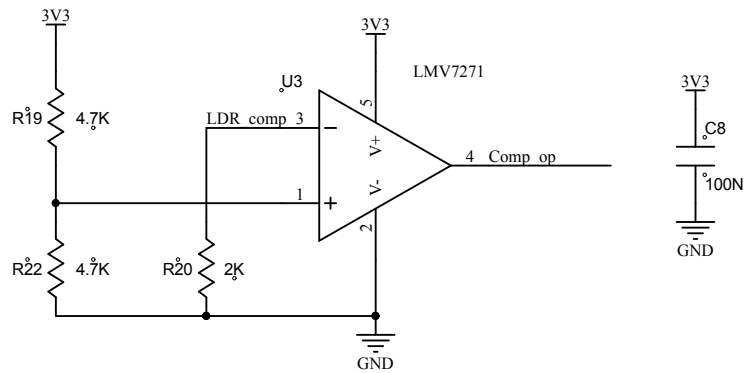
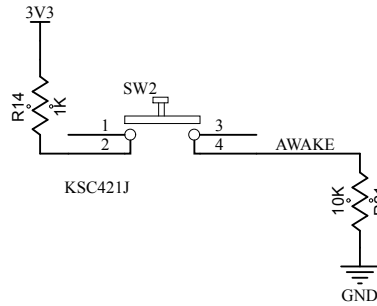
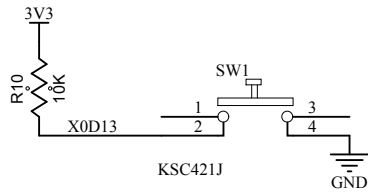


TWO AXIS JOYSTICK

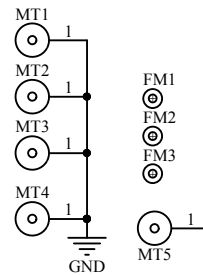
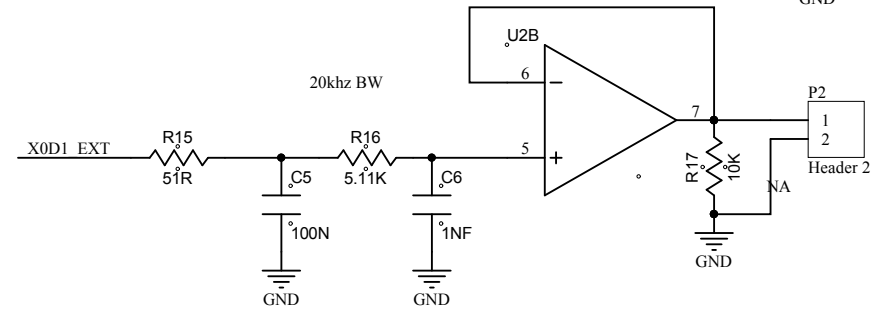
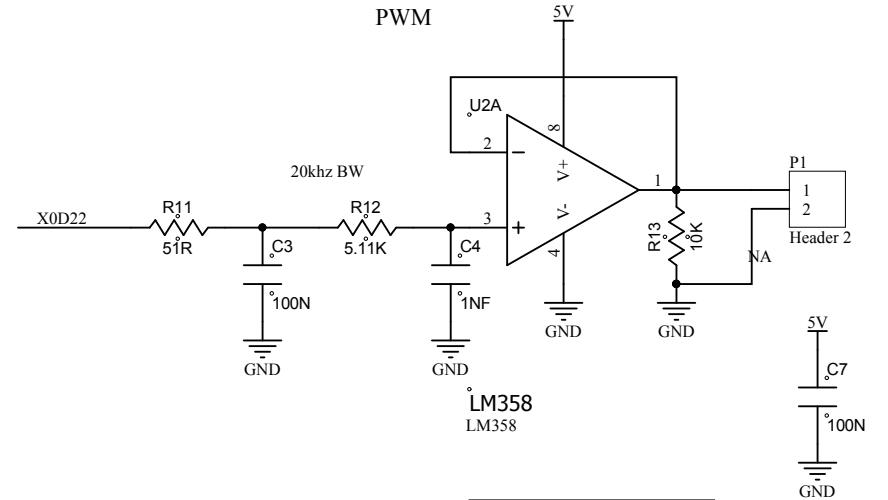


Title			
MIXED SIGNAL SLICE			
Size	Number	Revision	
A4	1 of 2	1V0	
Date:	22-07-2013	Sheet of	
File:	E:\XMOS\...Mixed Signal Slice V2.Sch	Drawn By:	

PUSH BUTTONS



PWM



Title			PGA & PWM		
Size	Number	Revision			
A4	2 of 2	1V0			
Date:	22-07-2013	Sheet of			
File:	E:\XMOS\...PGA&PWM V2.SchDoc	Drawn By:			