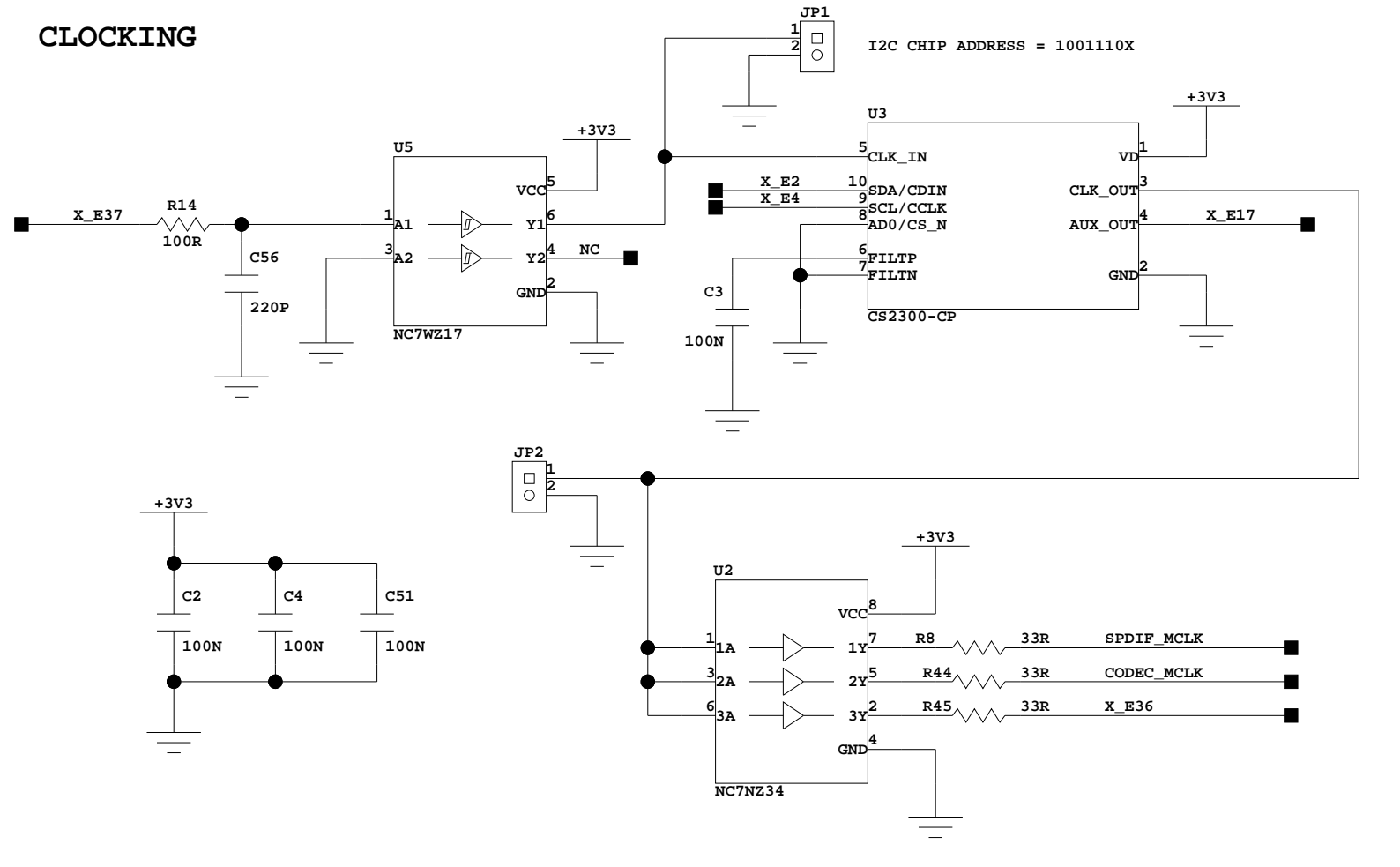
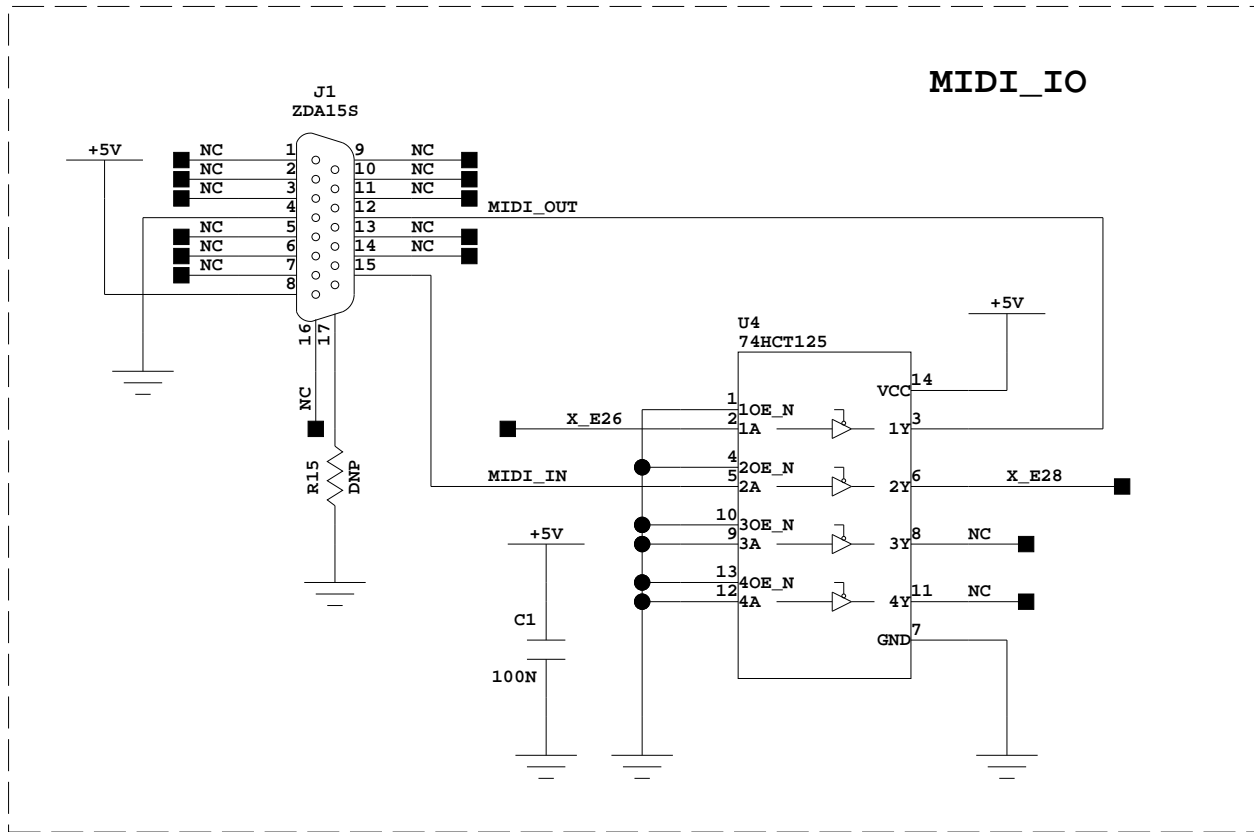


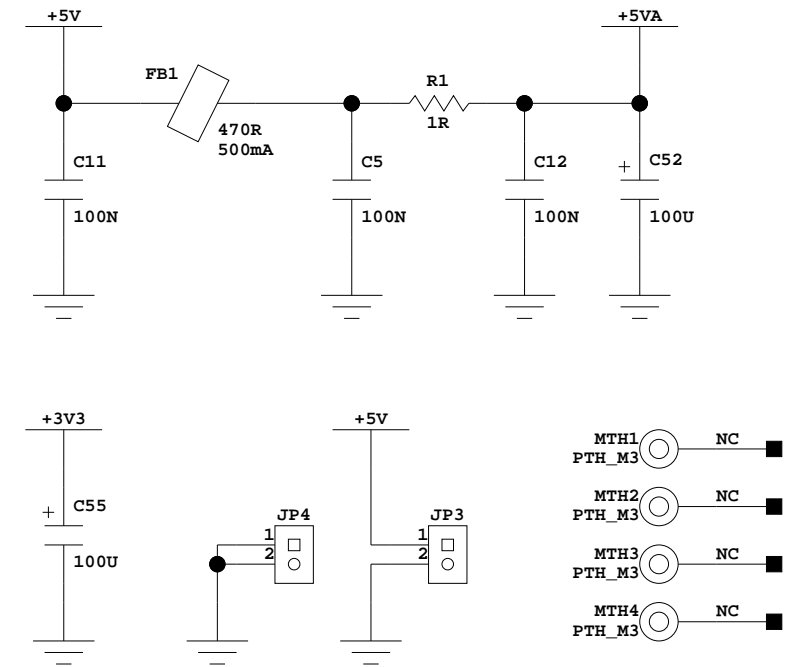
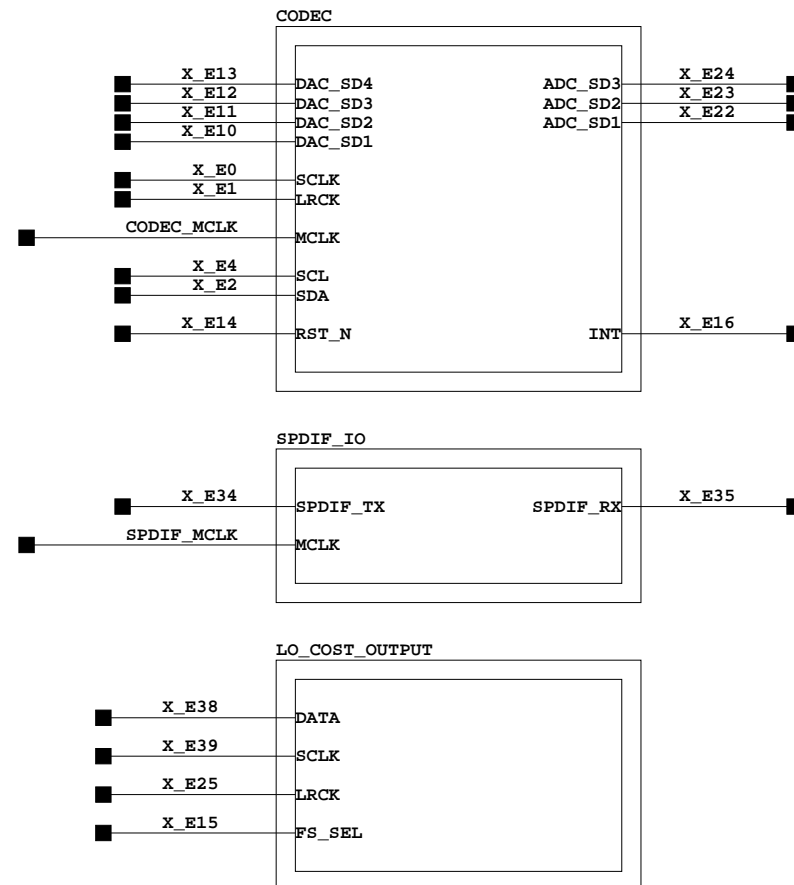
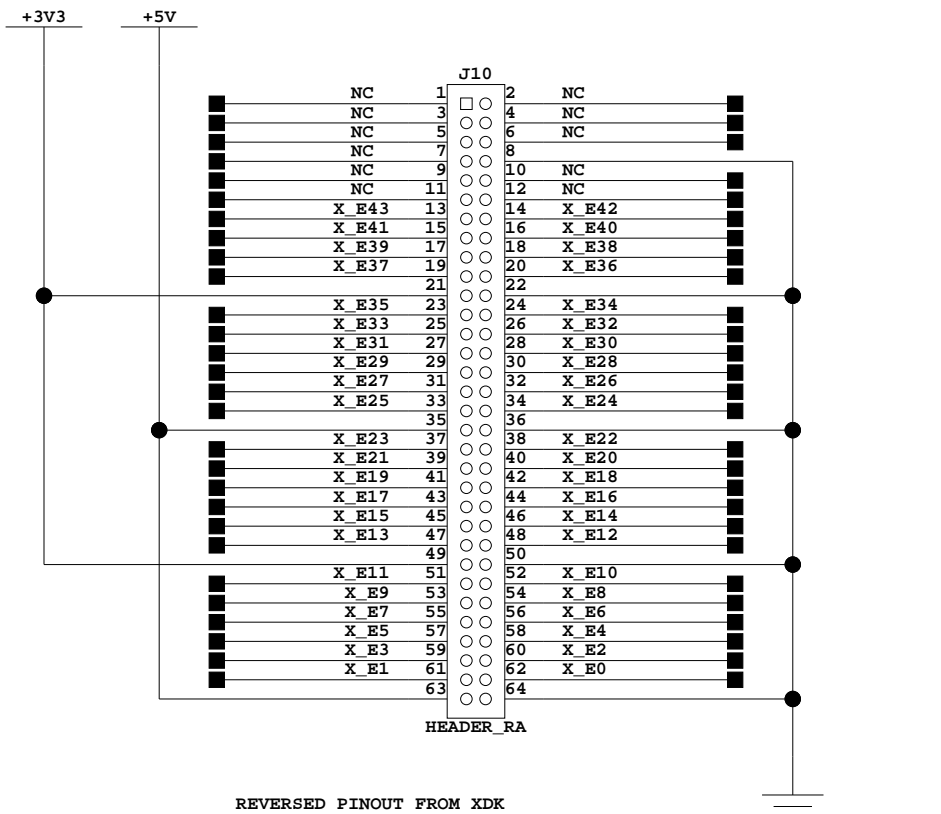
### CLOCKING



### MIDI\_IO



### XDK\_IO



**XMOS**<sup>TM</sup>

Copyright (c) 2009 XMOS Ltd.

PROJECT NAME

**AUDIO I/F**

SIZE  
**A3**

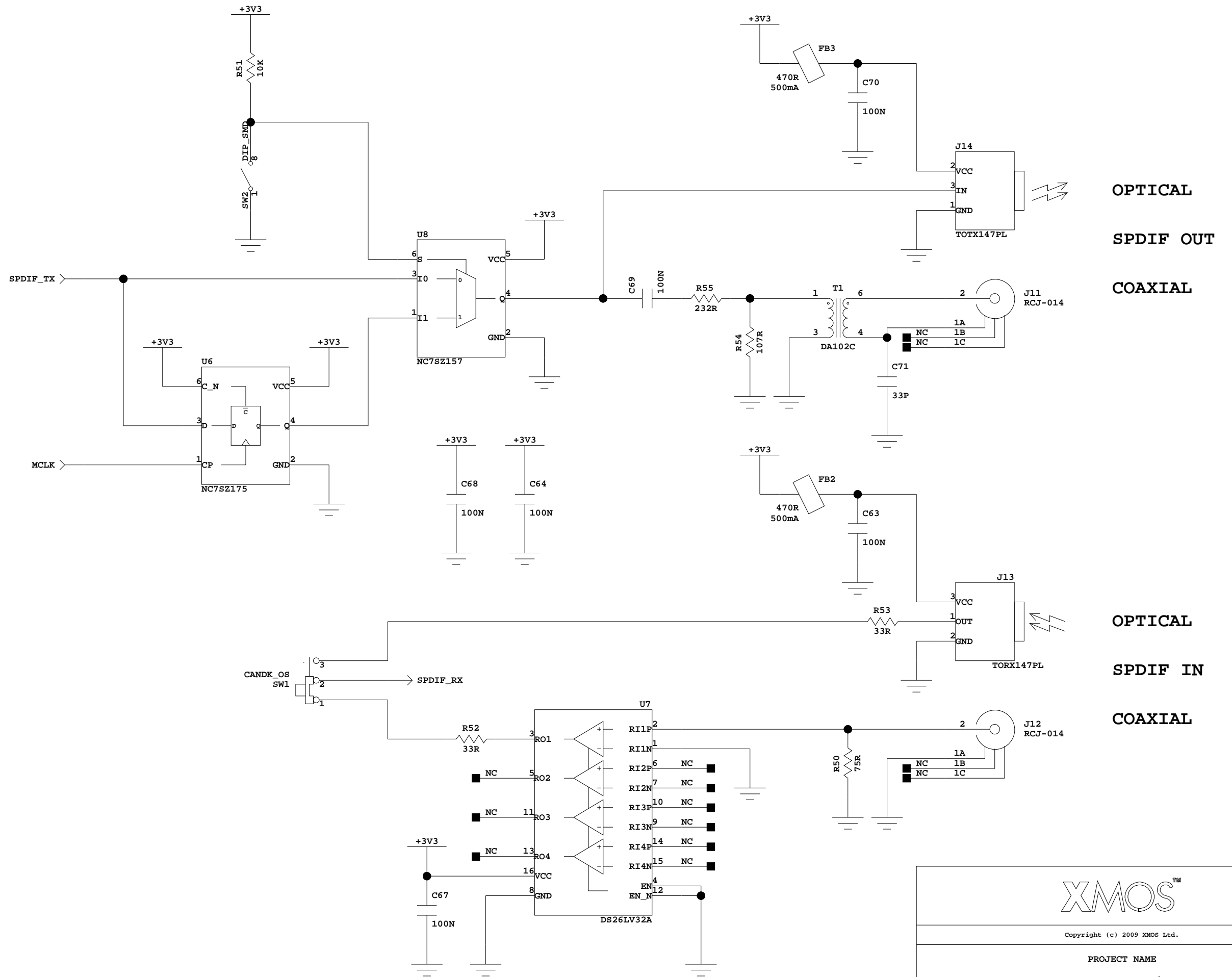
SHEET NAME  
**TOP\_LEVEL**

REV  
**B**

DATE

9-26-2008\_17:46

SHEET 1 OF 1



OPTICAL  
SPDIF OUT  
COAXIAL

OPTICAL  
SPDIF IN  
COAXIAL

**XMOS**<sup>™</sup>

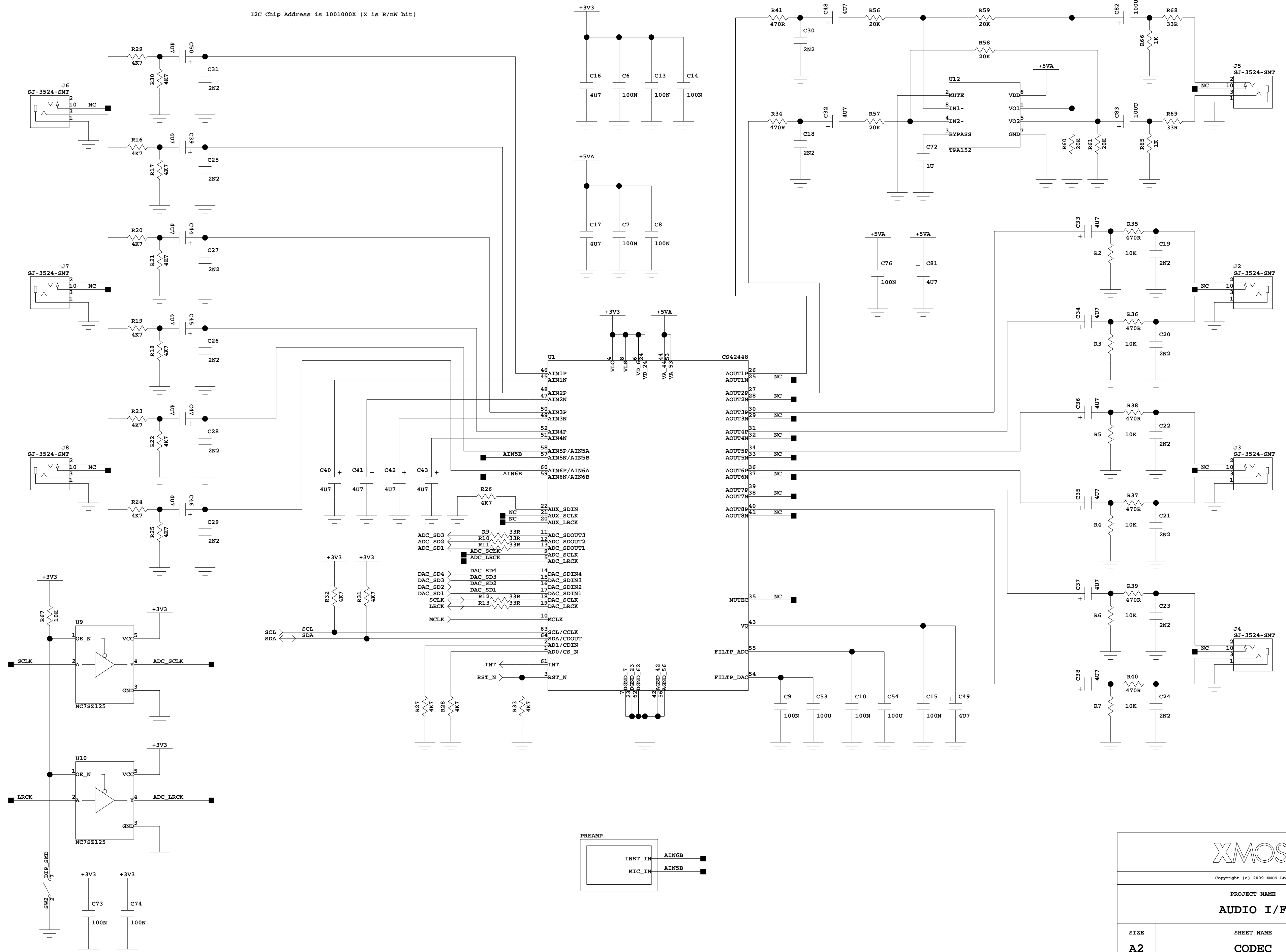
Copyright (c) 2009 XMOS Ltd.

PROJECT NAME  
**AUDIO I/F**

SIZE	SHEET NAME	REV
<b>A3</b>	<b>SPDIF_IO</b>	<b>B</b>
DATE	9-26-2008_17:46	SHEET 1 OF 1

# HEADPHONE AMP

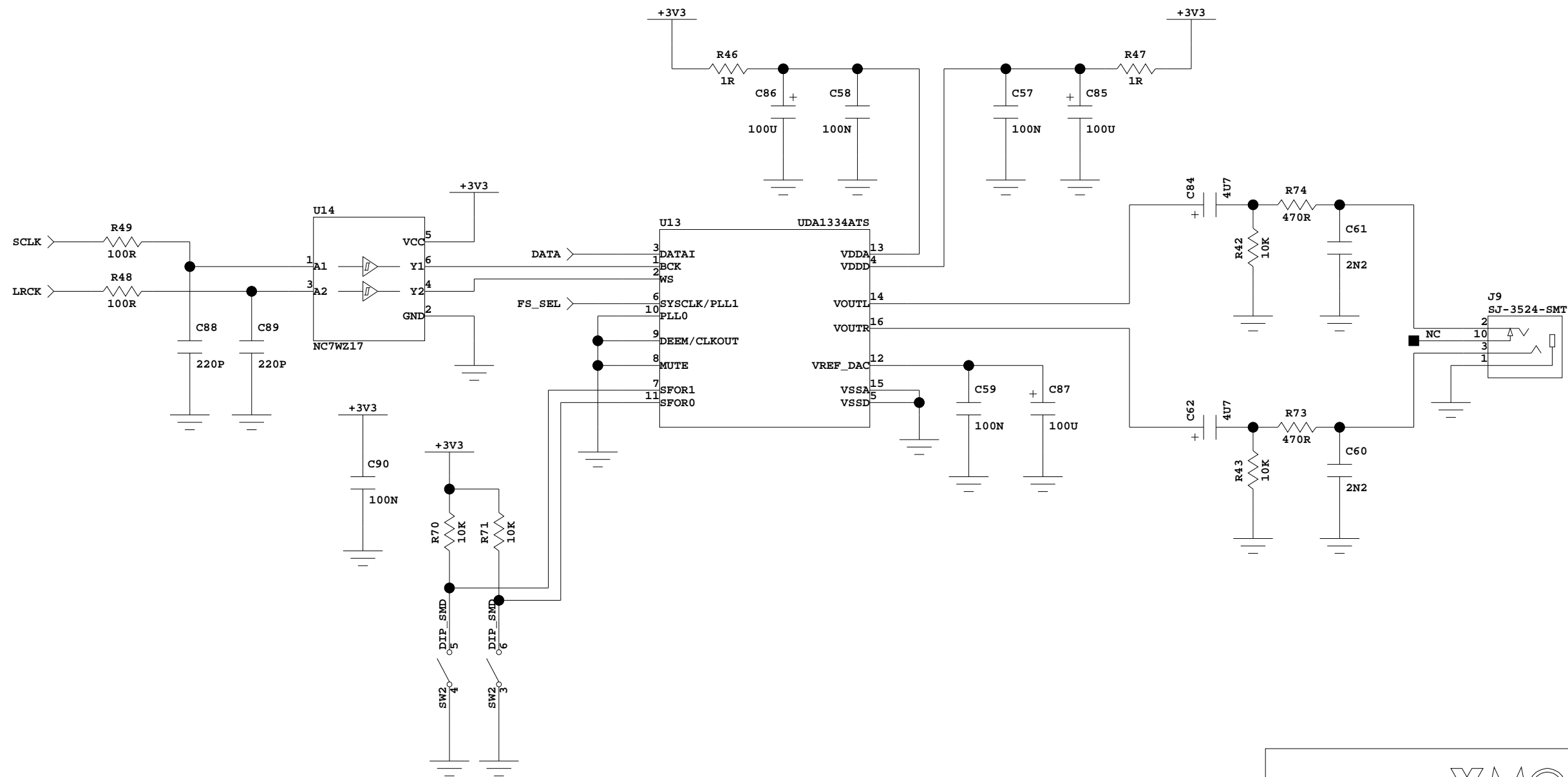
I2C Chip Address is 1001000X (X is R/nW bit)



Copyright (c) 2009 XMOS Ltd.

PROJECT NAME  
**AUDIO I/F**

SIZE <b>A2</b>	SHEET NAME <b>CODEC</b>	REV <b>B</b>
DATE 9-26-2008_17:44	SHEET 1 OF 1	



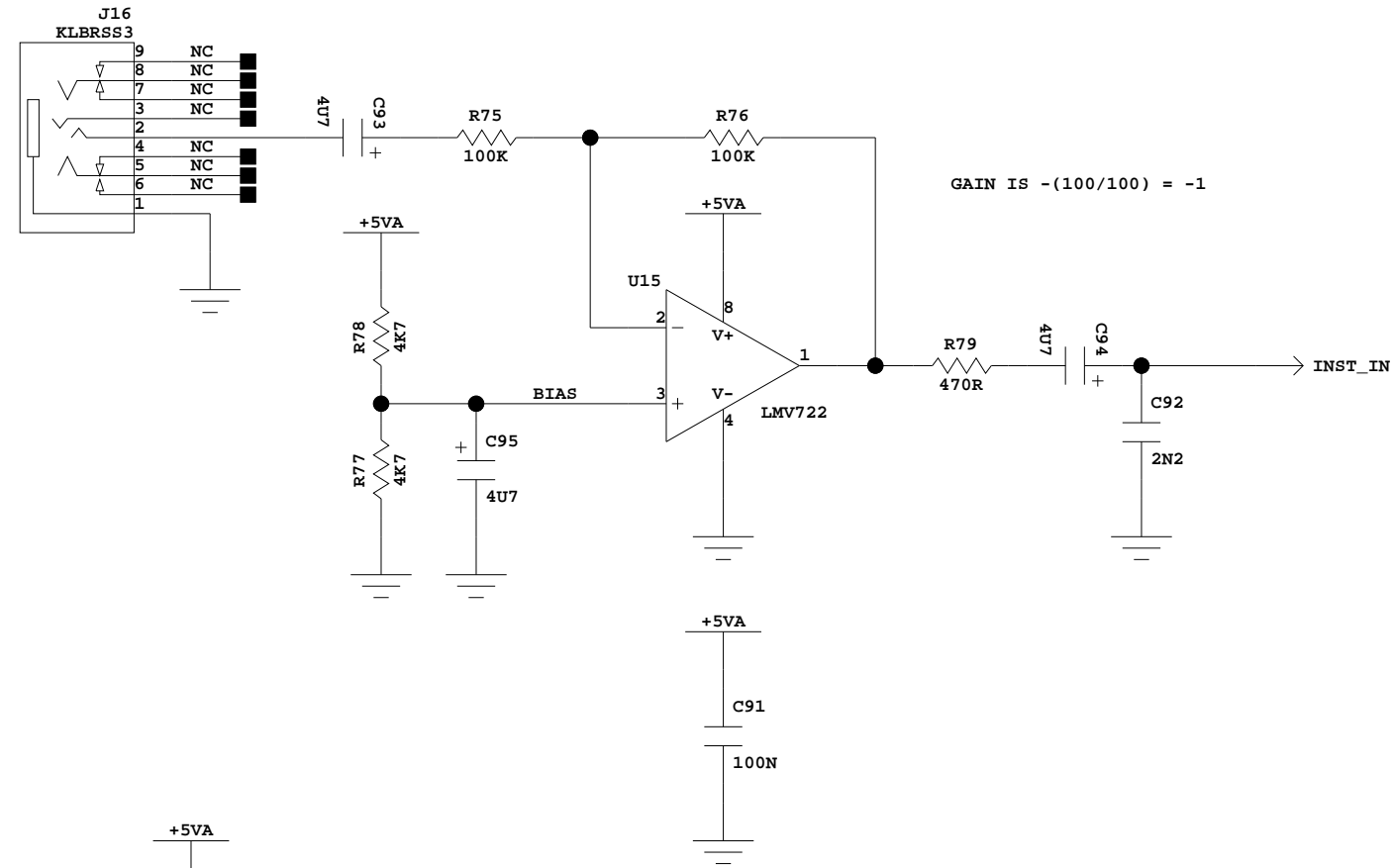
**XMOS**<sup>™</sup>

Copyright (c) 2009 XMOS Ltd.

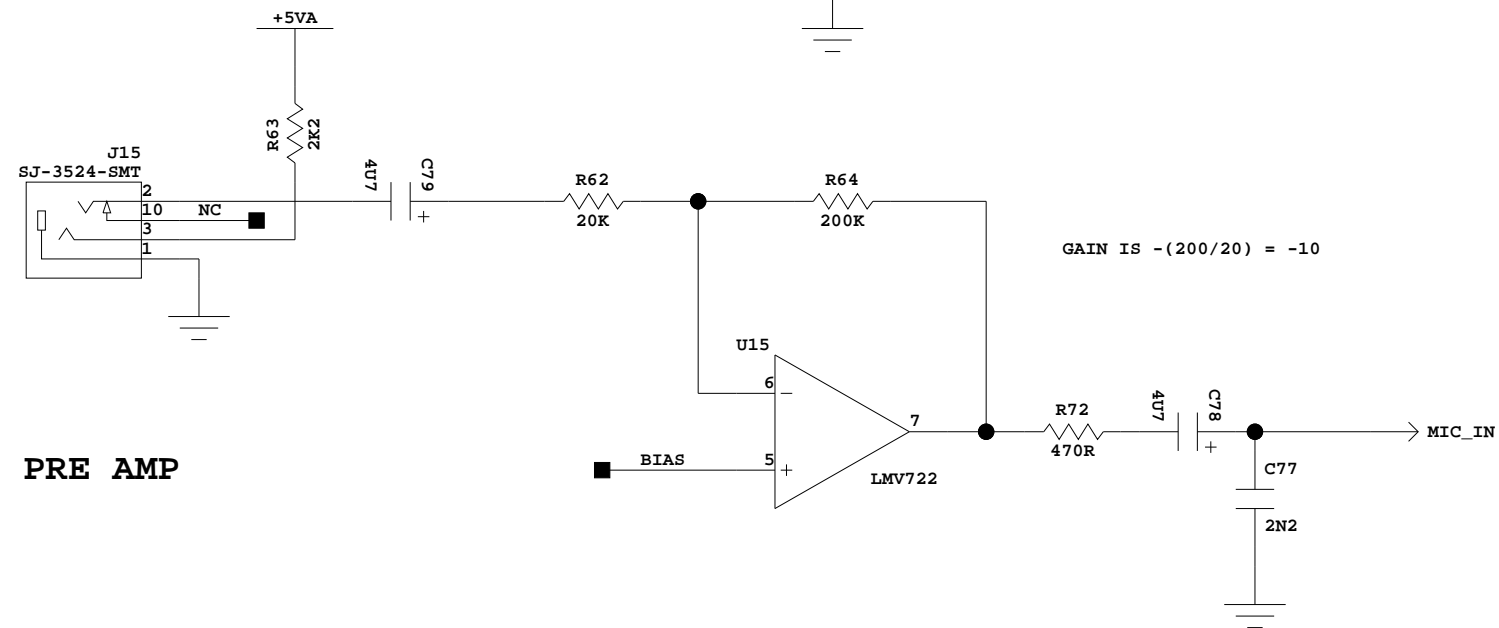
PROJECT NAME  
**AUDIO I/F**

SIZE	SHEET NAME	REV
<b>A3</b>	<b>LO_COST_OUTPUT</b>	<b>B</b>
DATE	9-26-2008_17:46	SHEET 1 OF 1

**INSTRUMENT PRE AMP**



**MICROPHONE PRE AMP**



**XMOS**<sup>™</sup>

Copyright (c) 2009 XMOS Ltd.

PROJECT NAME  
**AUDIO I/F**

SIZE <b>A3</b>	SHEET NAME <b>PREAMP</b>	REV <b>B</b>
DATE 9-26-2008_17:46	SHEET 1	OF 1