

Copyright (c) 2009 XMOS Ltd.

PROJECT NAME
XC-6 USB AUDIO

SIZE	SHEET NAME	REV
A3	TOP_LEVEL	A
DATE	SEPT 14 2009	SHEET 1 OF 1

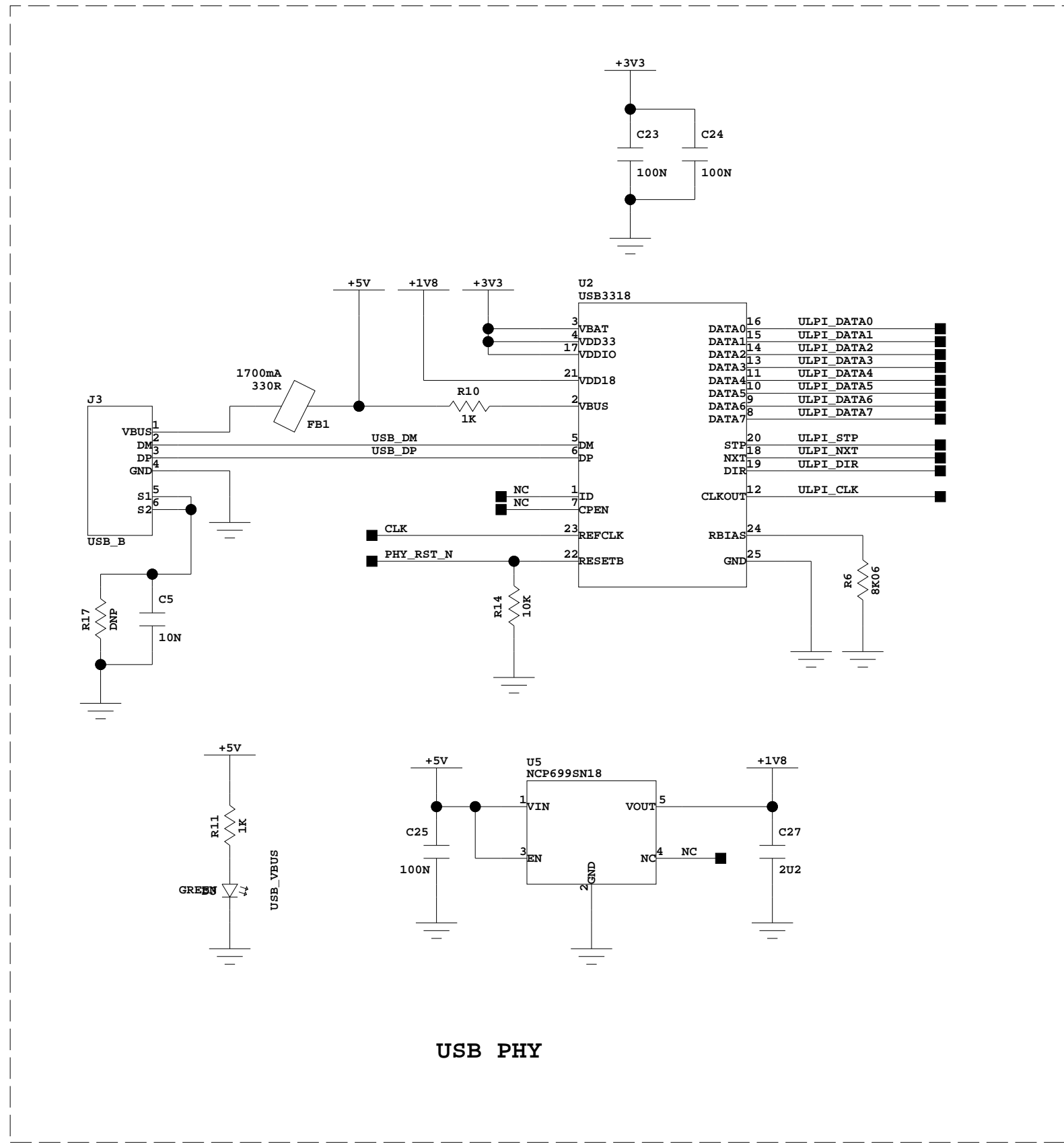
XMOS™

Copyright (c) 2009 XMOS Ltd.

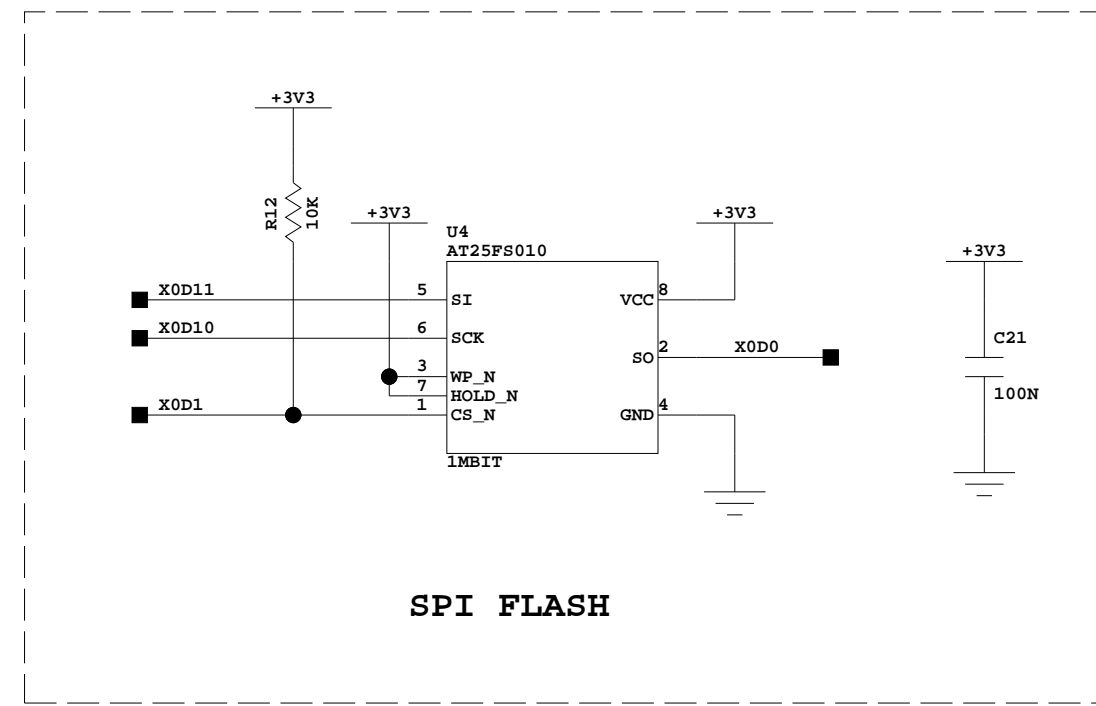
PROJECT NAME
XC-6 USB AUDIO

SIZE	SHEET NAME	REV
A3	TOP_LEVEL	A

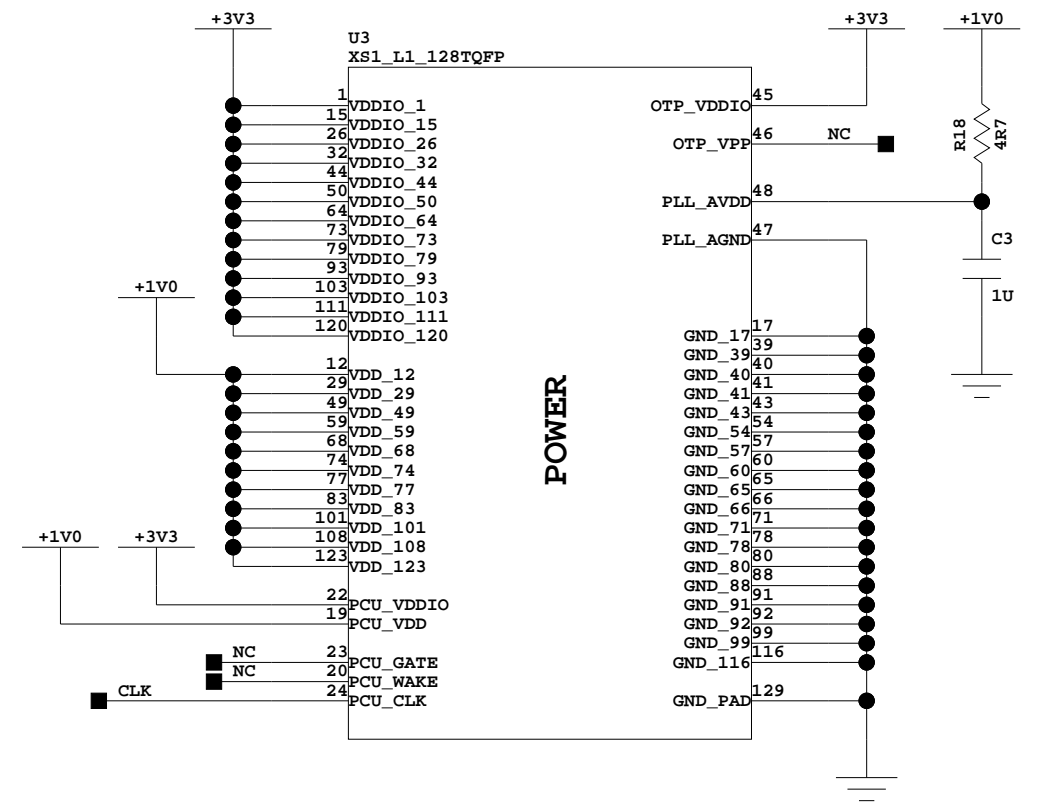
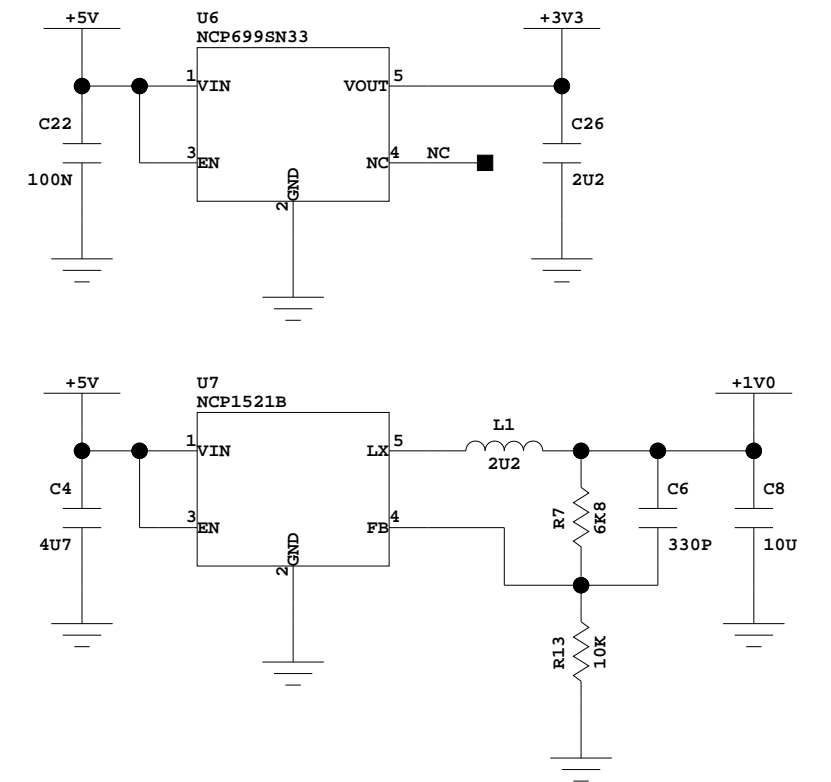
DATE	SEPT 14 2009	SHEET 1 OF 1
------	--------------	--------------



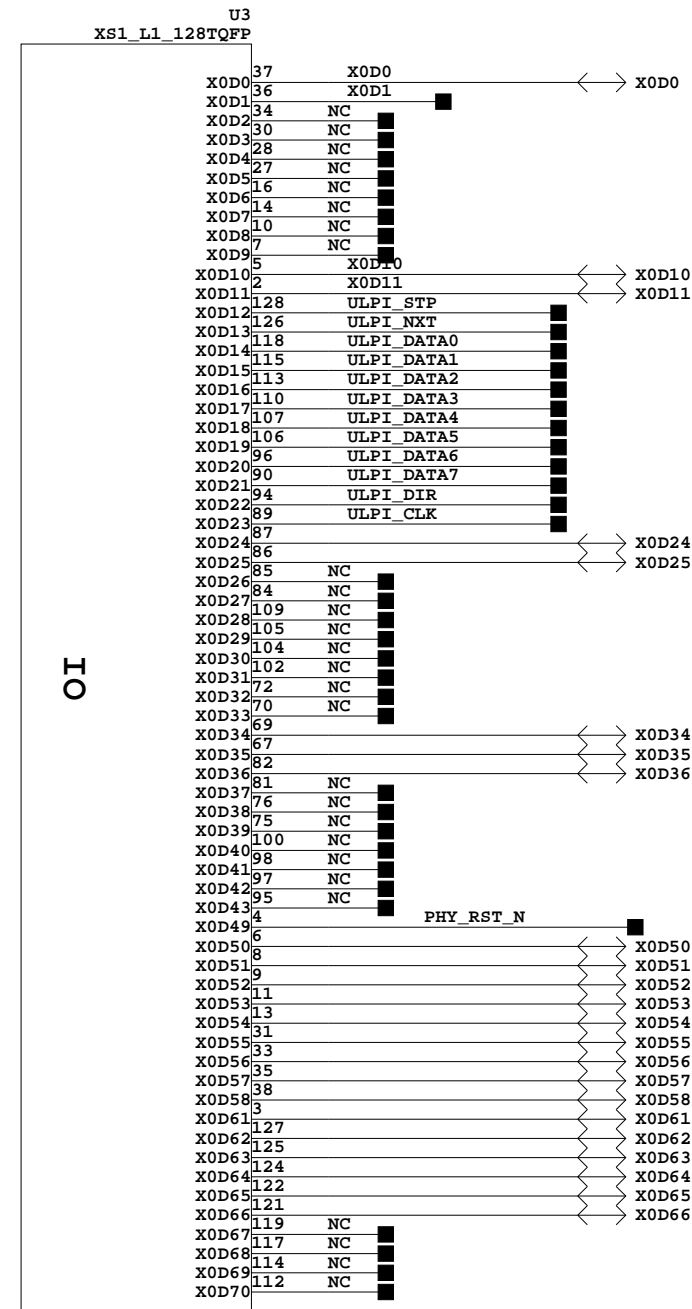
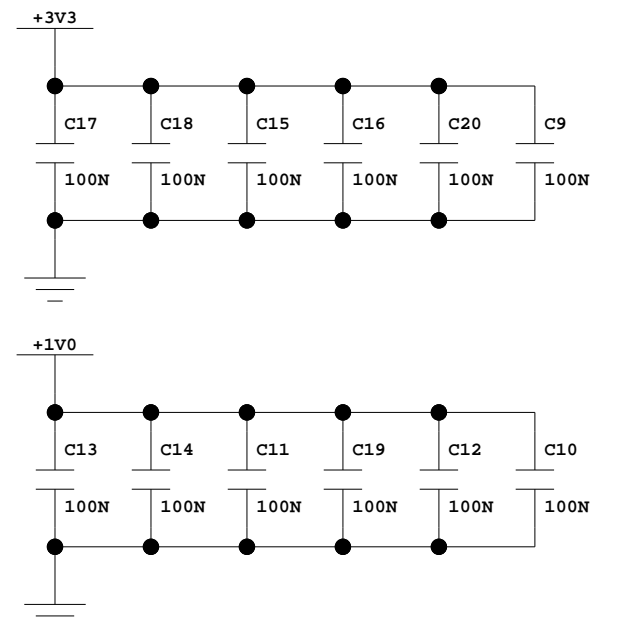
USB PHY



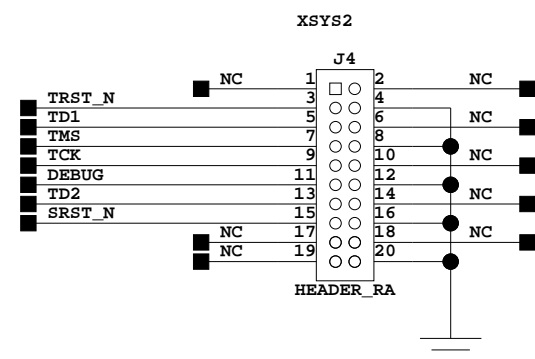
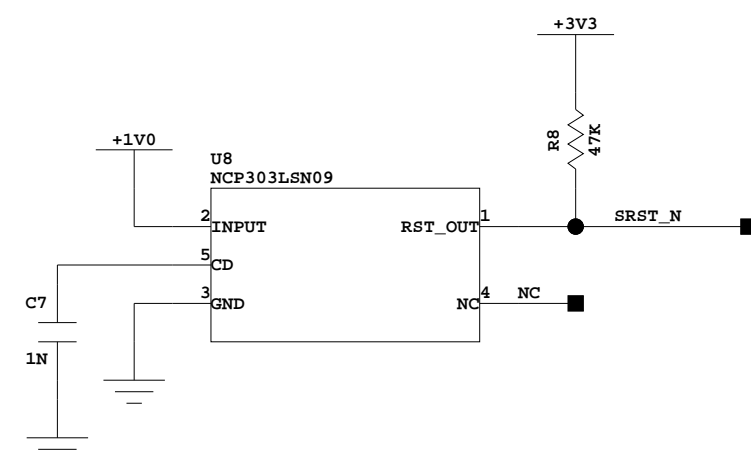
SPI FLASH



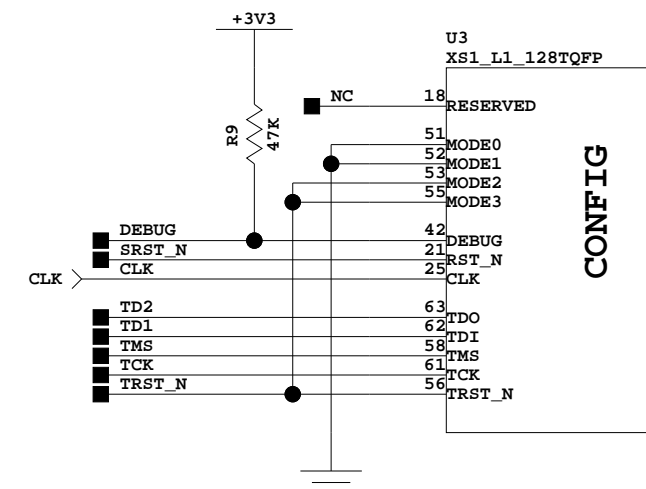
POWER



OI



XSYS2



CONFIG

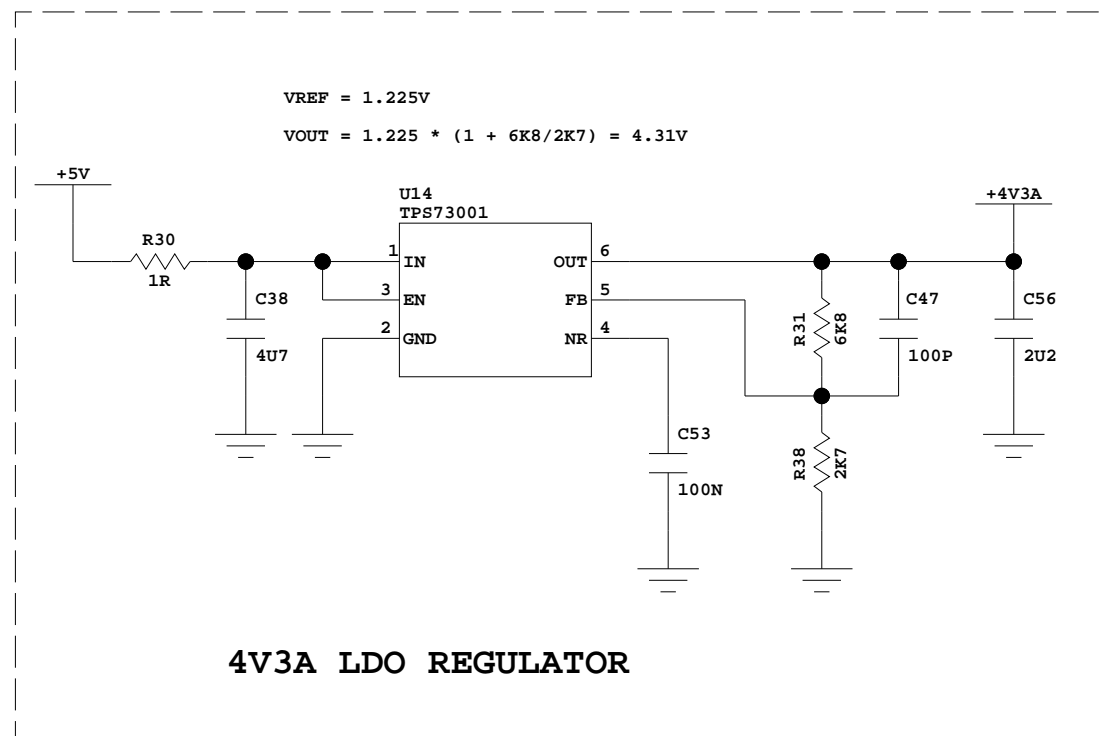
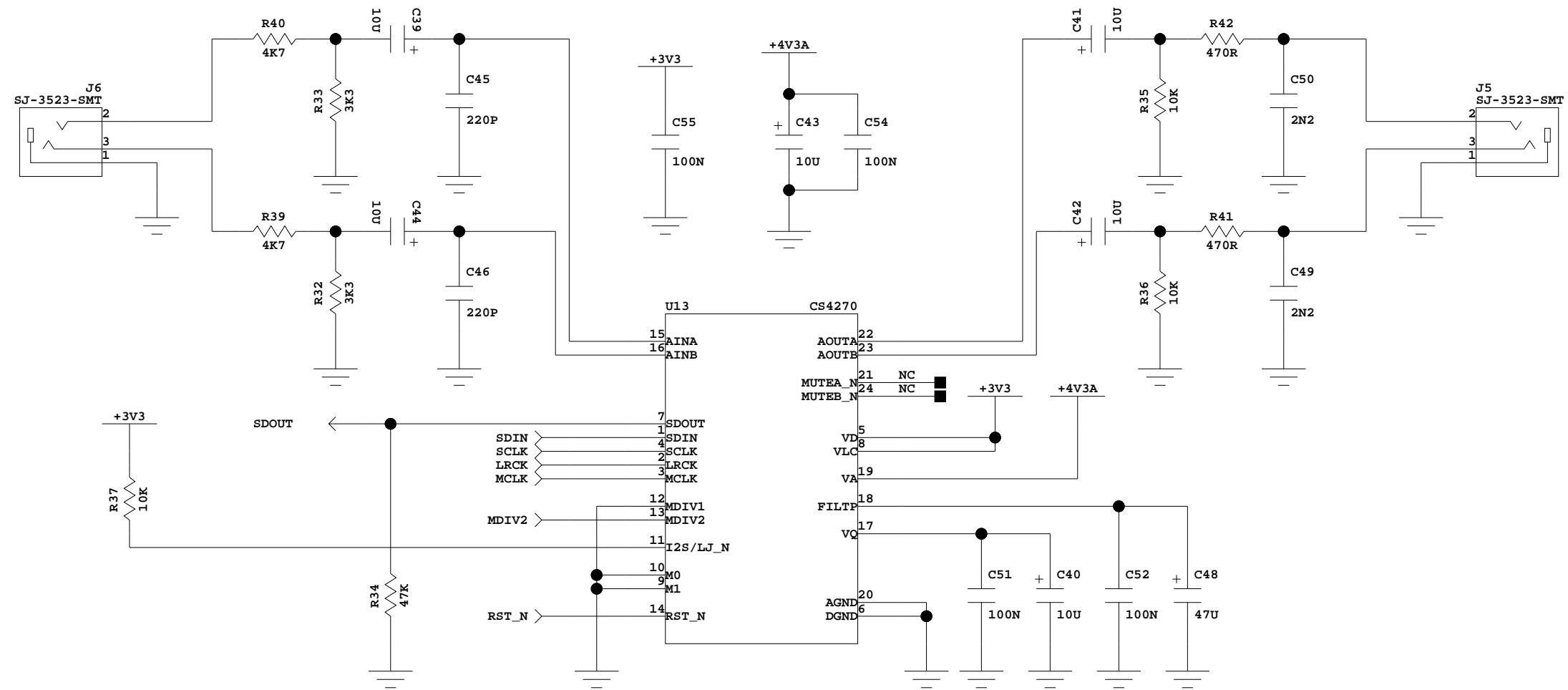
MODE[1:0] = 00 ==> PLL_MULT = 30.75 ==> 13MHZ REFCLK
 MODE[3:2] = 11 ==> BOOT FROM SPI
 MODE[3:2] = 00 ==> BOOT FROM JTAG (DON'T BOOT)
 ALL MODE PINS HAVE INTERNAL PULLUPS

XMOS™

Copyright (c) 2009 XMOS Ltd.

PROJECT NAME
XC-6 USB AUDIO

SIZE A2	SHEET NAME L1_128_USB	REV A
DATE SEPT 14 2009	SHEET 1 OF 1	



CODEC DEFAULTS TO STAND ALONE MODE
 SDOUT PULLED LOW BY 47K - SLAVE MODE
 M0 = 0 : DE-EMPHASIS OFF
 M1 = 0 : NOT USED IN STAND ALONE SLAVE MODE
 MDIV PINS SELECT CLOCK RATIOS. SEE PAGE 23 OF DATASHEET.
 I2S/LJ_N PULLED HIGH : I2S INTERFACE FORMAT.

XMOS™

Copyright (c) 2009 XMOS Ltd.

PROJECT NAME
XC-6 USB AUDIO

SIZE A3	SHEET NAME CODEC	REV A
DATE SEPT 14 2009	SHEET 1 OF 1	